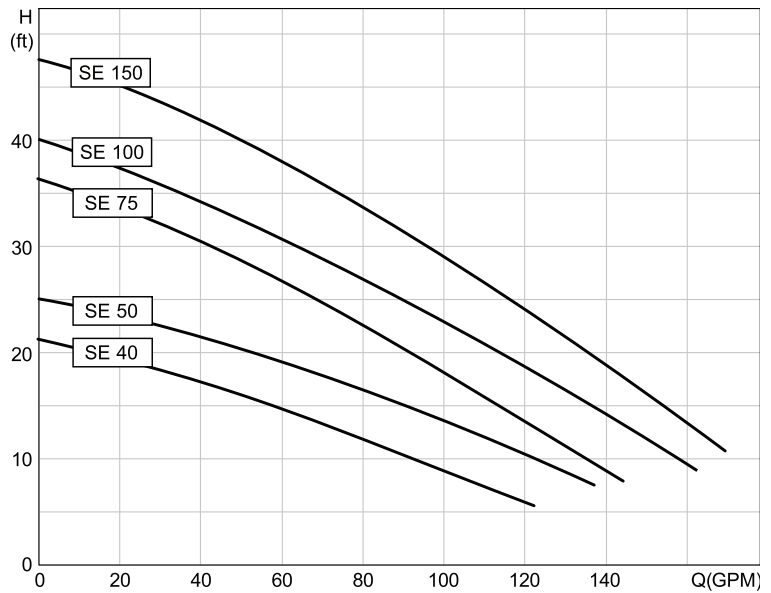




**Performance Curve**



## Electrical Data

Pump Type	HP	Service Factor	PH	Input Voltage	Maximum Power Consumption (Watts)	Maximum Current (Amps)	Locked Rotor Current (Amps)	Nominal Speed (Rpm)
SE40	4/10	1.4	1	115	935	8.2	18	1625
		1.4	1	230	850	3.9	9	1615
SE50	1/2	1.6	1	115	1155	11.2	24	1635
		1.6	1	230	1110	5.2	12	1630
SE75	3/4	1.5	1	230	2155	9.7	23	3335
SE100	1	1.4	1	230	2290	10.3	23	3315
SE150	1-1/2	1.3	1	230	2890	13.1	30	3350

## Technical Data

### Performance Range:

- Flow: 2 - 170 GPM
- Head: 0 - 48 ft.

### Solids Handling:

- 2" Spherical Solids

### Motor Type:

- AC Induction
- Permanent Split Capacitor
- Oil Filled, Durasyn<sup>®</sup> 166
- Class F Insulation
- Thermally Protected

### Motor Duty:

- Semi-Continuous if fully submerged
- Max. 8 hours in a 24 hour period

### Starts Per Hour:

- Maximum 20 starts per hour
- Evenly Distributed once every 3 minutes

### Thermal Protection:

- Automatic Reset

### Motor Bearing System:

- 1 Ball/1 Sleeve Bearing

### Fluid Temperature Limits: (Totally Submerged)

- 32° - 104°F (0° - 40°C) Semi-Continuous\*
- 32° - 140°F (0° - 60°C) Intermittent

### Discharge Size:

- 2" Female NPT

### Impeller Design:

- Vortex

### Maximum Installation Depth Below Water Level:

- 30 ft.

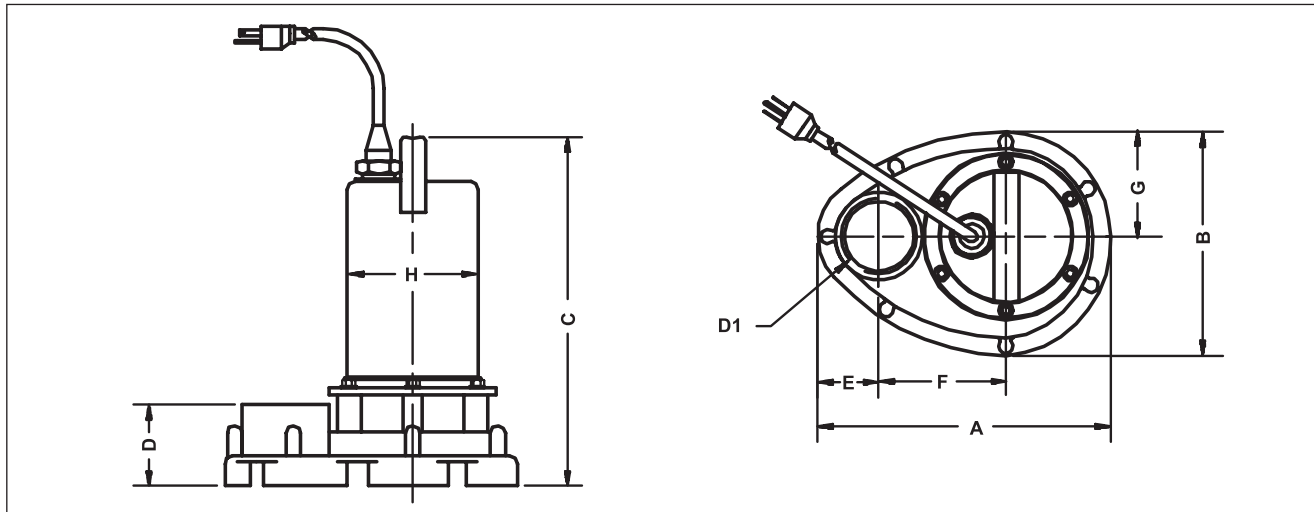
### Approvals:

- cUL & UL Listed

### Length of Power Cord:

- 10 or 20 ft.

Dimensional Drawing



Dimensions and Weights

Pump Type	Motor Data				D1 Discharge NPT	Dimensions (Inches)								Ship Wt. (lbs.)	Ship Vol. (cu. ft.)
	HP	S.F.	PH	Volts		A	B	C	D	E	F	G	H		
SE40	4/10	1.4	1	115/230	2"	11-1/2	8-3/4	17-5/8	6-5/8	2	5	4-3/8	4-1/8	27	1.94
SE50	1/2	1.6	1	115/230	2"	11-1/2	8-3/4	19-1/4	6-5/8	2	5	4-3/8	4-1/8	31	1.94
SE75	3/4	1.5	1	230	2"	11-1/2	8-3/4	19-1/4	6-5/8	2	5	4-3/8	4-1/8	31	1.94
SE100	1	1.4	1	230	2"	11-1/2	8-3/4	19-1/4	6-5/8	2	5	4-3/8	4-1/8	31	1.94
SE150	1-1/2	1.3	1	230	2"	11-1/2	8-3/4	19-1/4	6-5/8	2	5	4-3/8	4-1/8	33	1.94

Materials of Construction

Description	Material
Motor Housing	316 SS
Volute Top	Polypropylene
Volute Bottom	Polypropylene
Vortex Impeller, Upper Volute Gland	Ryton BR111
Motor/Pump Shaft	1045 Mild Steel/4301 SS
Mechanical Shaft Seal	Ceramic, Carbon, NBR, 316 SS
Lip Seal, Volute O-Ring, Motor Housing O-Ring, Pin Connector O-Ring, Port Plug O-Ring, Shaft Seal O-Ring	NBR
Port Plug	Amodel 1125 HS®
3-Pin Connector	Rynite 530FR
Screw, Hi-Low TorX, 1/4" Washer	303 SS
Screw Coated & Nut, Ball Bearing, Cable Nut	304 SS
Spacer Ring	ABS Plastic
Sleeve Bearing	Bronze
Power Cord Set	3-Prong - SJOW-A-Neoprene
Motor Fluid	Durasyn® 166 Di-electric Oil

®Registered trademark of Amococ Oil Company