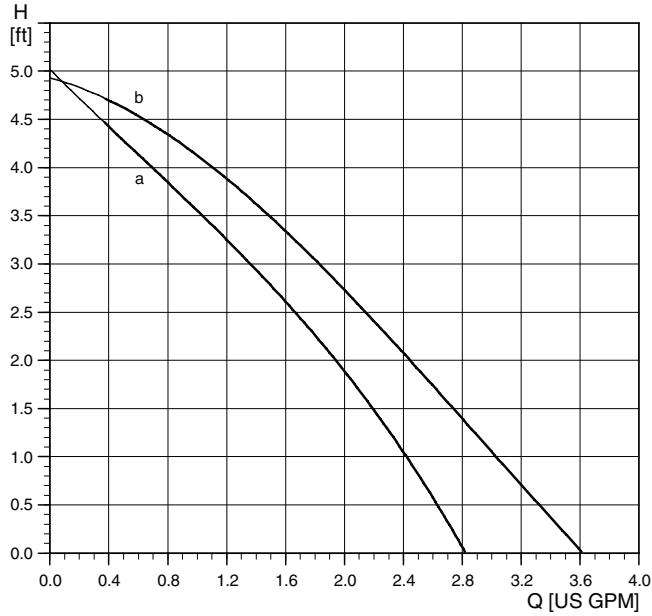


UP 10 Comfort Pump



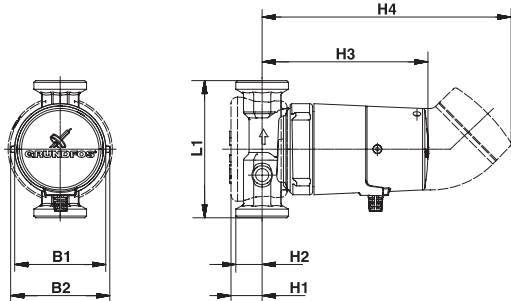
TM03 8851 2807

Flow range: 0-3.5 U.S. gpm
 Head range: 0-5.4 feet
 Motors: Single-phase
 Max. liquid temperature: 203 °F (95 °C)
 Min. liquid temperature: 36 °F (2 °C)
 Max. system pressure: 145 psi

Model	Volts	Amps	Watts	Hp	Capacitor
UP 10-16B5/BN5	115	0.23	25	-	-

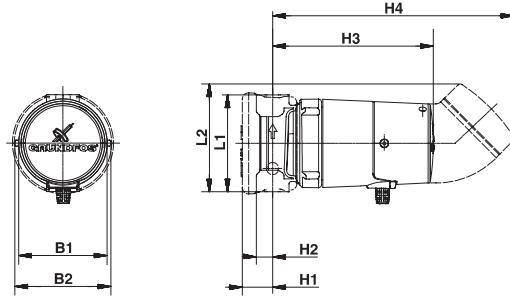
Position	System type	Description
a	Open	UP 10-16B5
b	Open	UP 10-16BN5

UP 10-16BU



TM03 4353 2006

UP 10-16B5/BN5



TM03 4354 2006

Model type	Product number	L1	L2	H1	H2	H3	H4	B1	B2	Connection	Shipping weight lbs
UP 10-16B5/LC	96433894	3 1/8		1	1/2	5 1/4		3	3 1/3	1/2" sweat	2.9
UP 10-16B5/TLC	96433895	3 1/8	3 1/2	1	1/2		8 1/16	3	3 1/3	1/2" sweat	3.4
UP 10-16B5/ATLC	96433896	3 1/8	3 1/2	1	1/2		8 1/16	3	3 1/3	1/2" sweat	3.4
UP 10-16BN5/LC	96433897	3 1/8		1	1/2	5 1/4		3	3 1/3	1/2" F NPT	2.9
UP 10-16BN5/TLC	96433898	3 1/8	3 1/2	1	1/2		8 1/16	3	3 1/3	1/2" F NPT	3.4
UP 10-16BN5/ATLC	96433899	3 1/8	3 1/2	1	1/2		8 1/16	3	3 1/3	1/2" F NPT	3.4
UP 10-16BU/ATLC	96433902	4 1/3		1	7/8		8 1/16	3	3 1/3	GF 125 union - 1 1/4" NPSM	3.8