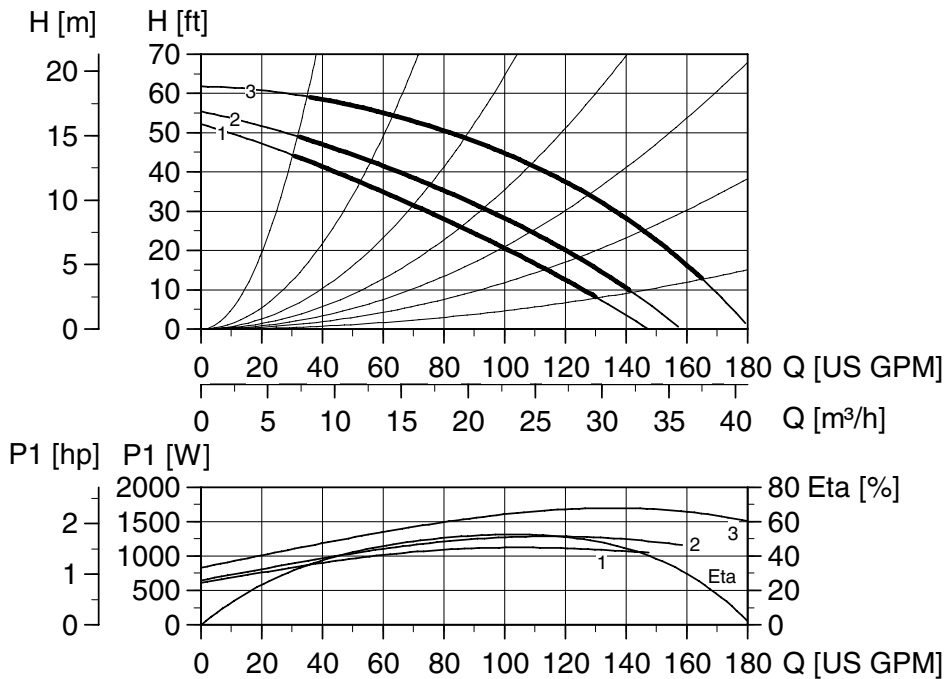


# Performance curves

UPS 50-240/2  
3 phase 208-230 V, 460 V, 575 V★, 60 Hz

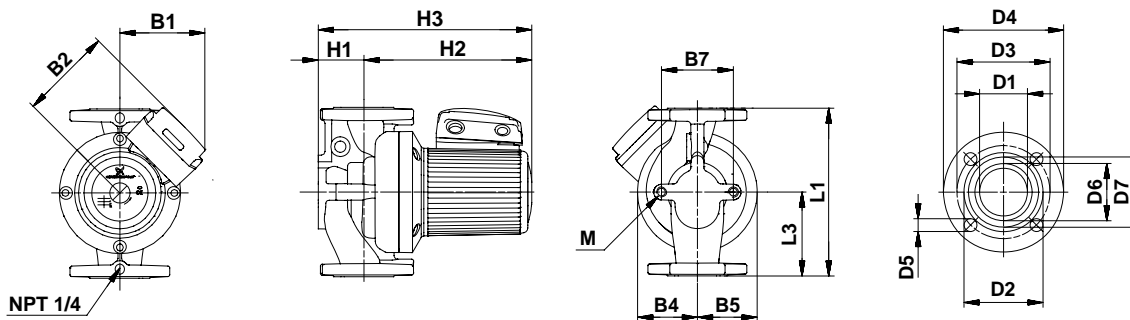
## Performance curves



Note: ETA is calculated as wire-to-water efficiency.

## Weights and volume

	Cast Iron				Bronze			
	lbs.	ft <sup>3</sup>	Kg	m <sup>3</sup>	lbs.	ft <sup>3</sup>	Kg	m <sup>3</sup>
Net weight	60.6		27.5		67.2		30.5	
Gross weight	73.0		33.1		79.6		36.1	
Shipping volume		2.90		0.082		2.90		0.082



## Dimensions

	L1	L3	B1	B2	B4	B5	B7	H1	H2	H3	D1	D2	D3	D4	D5	D6	D7	M
[Inches]	14	7	5 3/4	6 11/16	3 15/16	3 15/16	4 3/4	3	10 3/4	13 11/16	2 1/8	3 7/16	4 1/16	5 1/4	9/16	2 1/2	3 1/16	
[mm]	355	177.8	145	169	100	100	120	75	273	348	53	87.5	103	133	14	63	77.8	M12

★Canada only