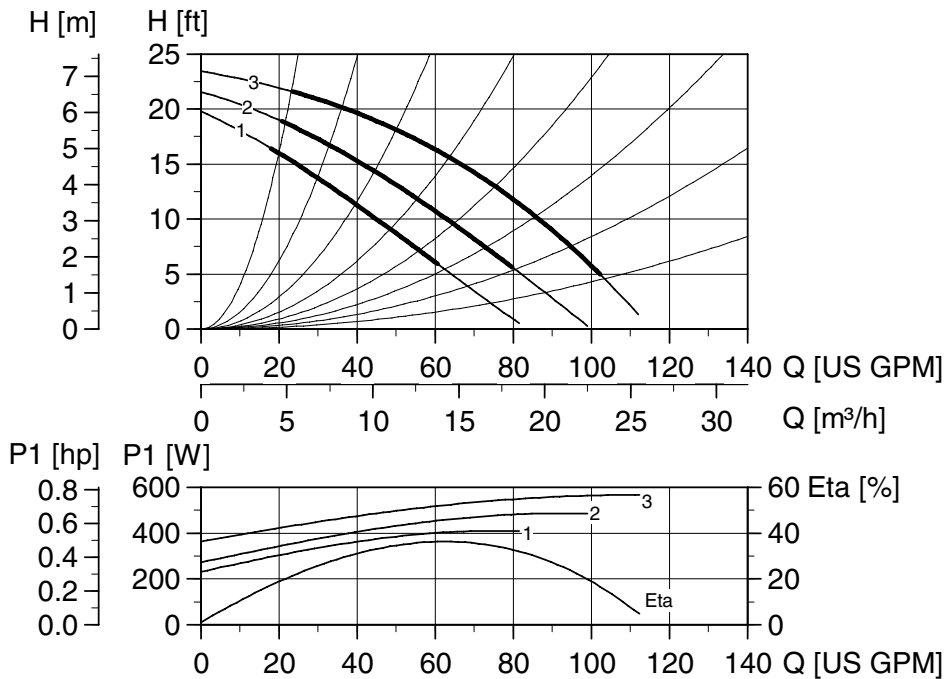


# Performance curves

UPS 40-80/4  
1 phase 115 V, 230 V, 60 Hz

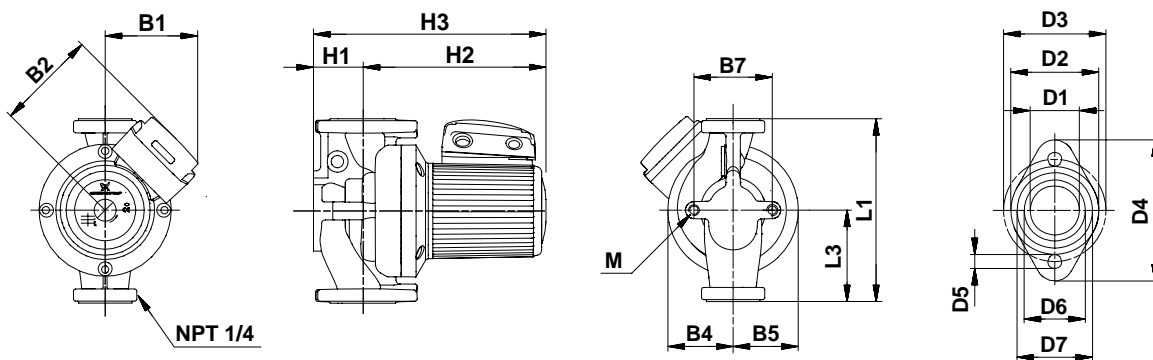
## Performance curves



Note: ETA is calculated as wire-to-water efficiency.

## Weights and volume

	Cast Iron				Bronze			
	lbs.	ft <sup>3</sup>	Kg	m <sup>3</sup>	lbs.	ft <sup>3</sup>	Kg	m <sup>3</sup>
Net weight	57.8		26.2		62.2		28.2	
Gross weight	70.1		31.8		74.5		33.8	
Shipping volume		2.90		0.082		2.90		0.082



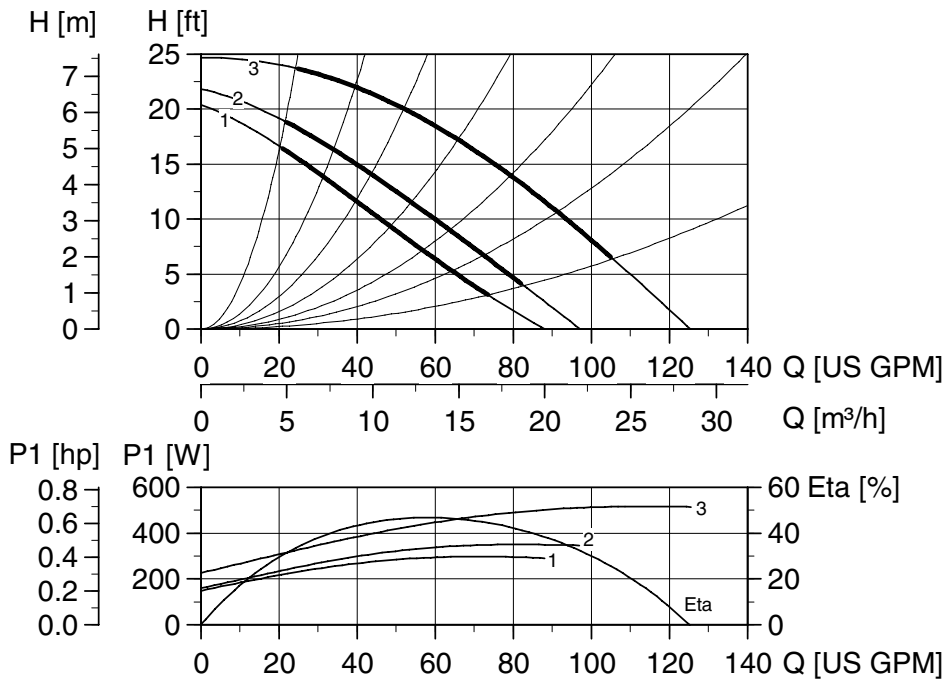
## Dimensions

	L1	L3	B1	B2	B4	B5	B7	H1	H2	H3	D1	D2	D3	D4	D5	D6	D7	M
[Inches]	13 1/2	6 3/4	5 3/4	6 5/8	3 15/16	3 15/16	4 3/4	3	9	13 3/16	1 11/16	2 7/8	3 7/16	5	1/2	2 1/16	2 9/16	
[mm]	343	171.5	145	169	100	100	120	75	228	335	41.8	73	87	127	12	52	64.6	M12

# Performance curves

UPS 40-80/4  
3 phase 208-230 V, 460 V, 575 V★, 60 Hz

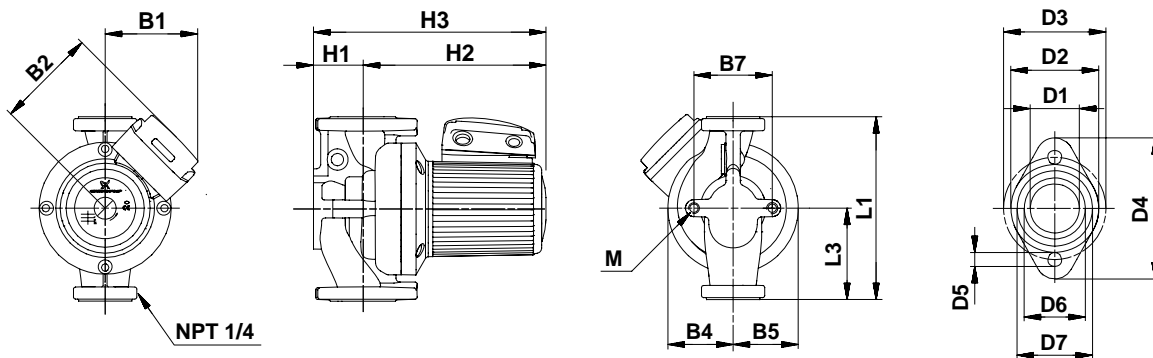
## Performance curves



Note: ETA is calculated as wire-to-water efficiency.

## Weights and volume

	Cast Iron				Bronze			
	lbs.	ft <sup>3</sup>	Kg	m <sup>3</sup>	lbs.	ft <sup>3</sup>	Kg	m <sup>3</sup>
Net weight	47.6		21.6		52.0		23.6	
Gross weight	60.0		27.2		64.4		29.2	
Shipping volume		2.90		0.082		2.90		0.082



## Dimensions

	L1	L3	B1	B2	B4	B5	B7	H1	H2	H3	D1	D2	D3	D4	D5	D6	D7	M
[Inches]	13 1/2	6 3/4	5 3/4	6 5/8	3 15/16	3 15/16	4 3/4	3	9	13 3/16	1 11/16	2 7/8	3 7/16	5	1/2	2 1/16	2 9/16	
[mm]	343	171.5	145	169	100	100	120	75	228	335	41.8	73	87	127	12	52	64.6	M12

★Canada only

TM00 9514 2297

TM02 0729 5100