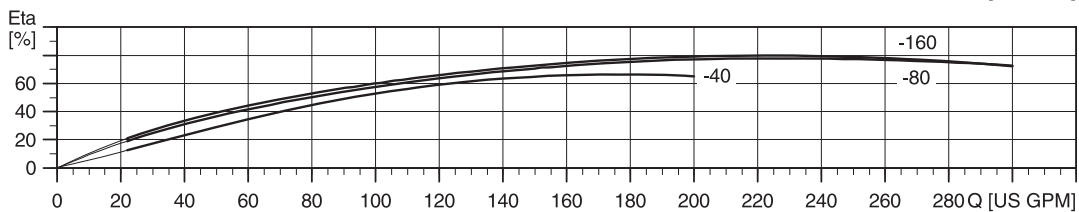
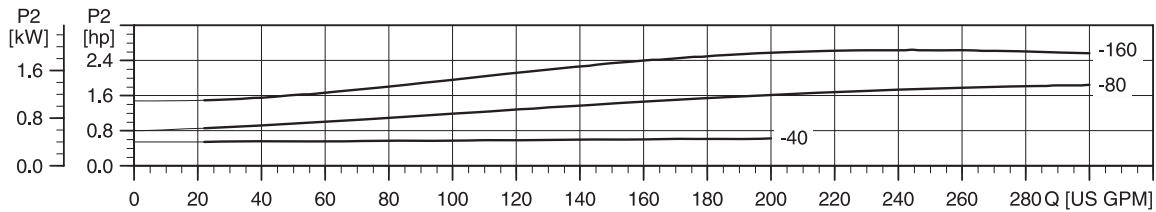
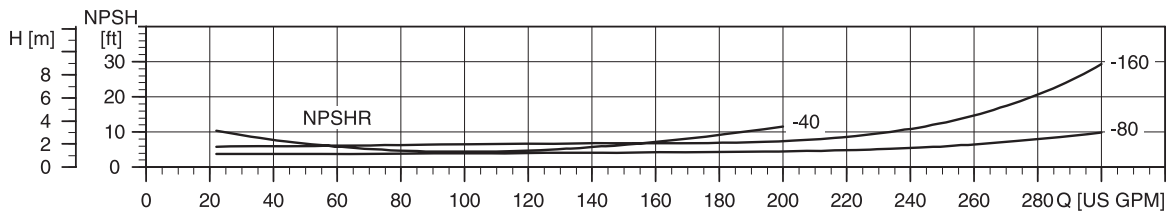
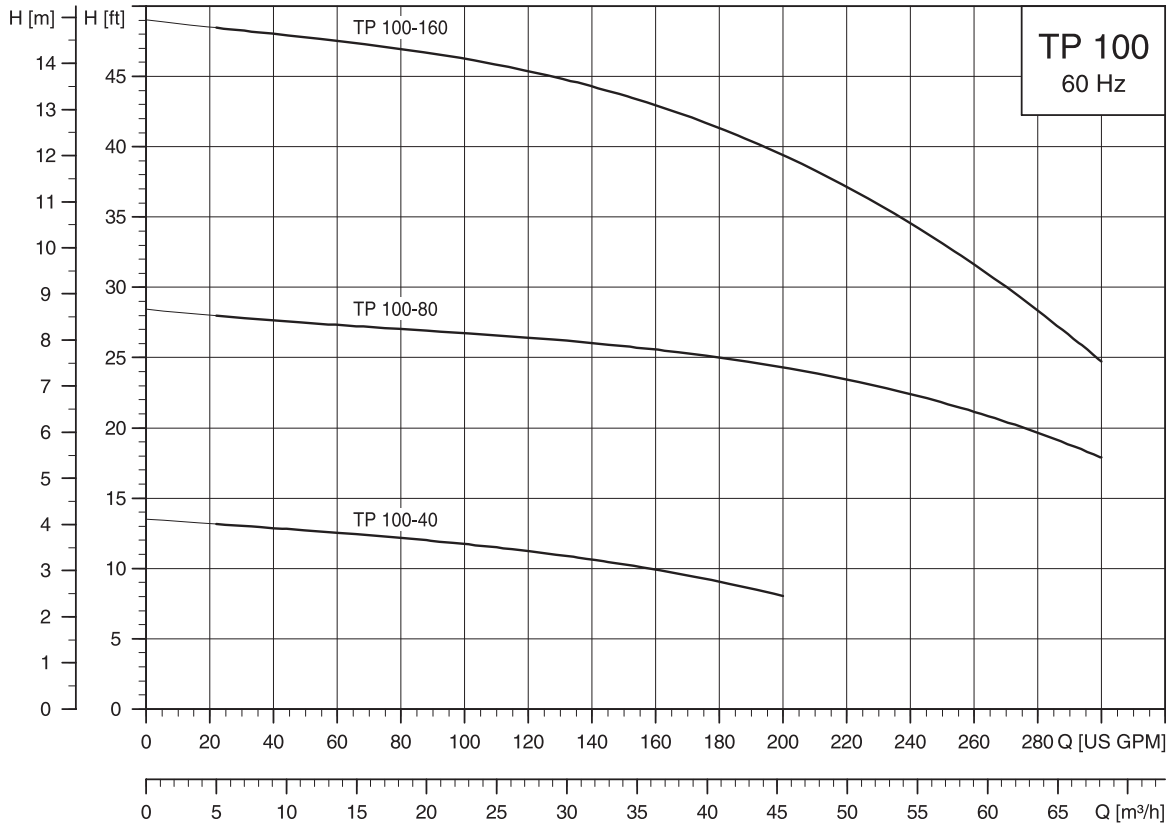
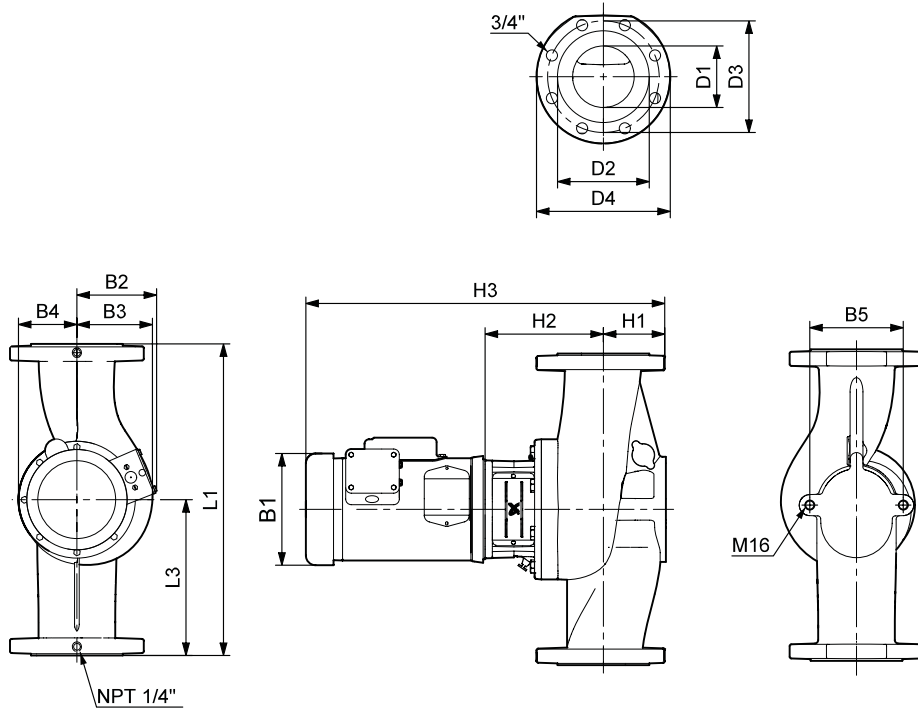


TP 100-XX



TK00 9229 1097



TM03 7755 4806

Dimensions and weights

Pump type	HP	Suc. disc. size	Ph	Dimensions [inches]												Net wt. [lbs]		
				(mm)														
				L1	L3	B1	B2	B3	B4	B5	H1	H2	H3	D1	D2	D3	D4	
TP100-40/4	1		1/3	21	10 1/2	7 1/4	5 1/8	5 1/8	4	6 5/16	4 13/16	7 7/16	23 7/16	4 3/16	6 3/16	7 9/16	9 1/16	107
				(533)	(267)	(184)	(130)	(130)	(102)	(160)	(122)	(189)	(595)	(106)	(157)	(192)	(230)	97
TP100-80/4	2	4 (102)	1/3	21	10 1/2	7 1/4	5 1/8	5 5/16	4	6 5/16	4 13/16	6 5/8	23 7/16	4 3/16	6 3/16	7 9/16	9 1/16	121
				(533)	(267)	(184)	(130)	(135)	(102)	(160)	(122)	(168)	(595)	(106)	(157)	(192)	(230)	108
TP100-160/2	3		1/3	21	10 1/2	8 1/2	5 7/8	4 15/16	4	6 5/16	4 13/16	7 1/16	25 1/2	4 3/16	6 3/16	7 9/16	9 1/16	152
				(533)	(267)	(216)	(149)	(125)	(102)	(160)	(122)	(179)	(648)	(106)	(157)	(192)	(230)	142

Note: For information about motor data, see page 22.

Technical data

Flow range:	25-300 U.S. GPM
Head range:	3-49 ft
Maximum working pressure:	145 PSI
Temperature range:	5°F (-15°C) to 284°F (140°C)
Max ambient air temperature:	104°F (40°C)
Motors:	TEFC-Standard, ODP-Optional
Flanges:	4" ANSI 125 lb., R.F.