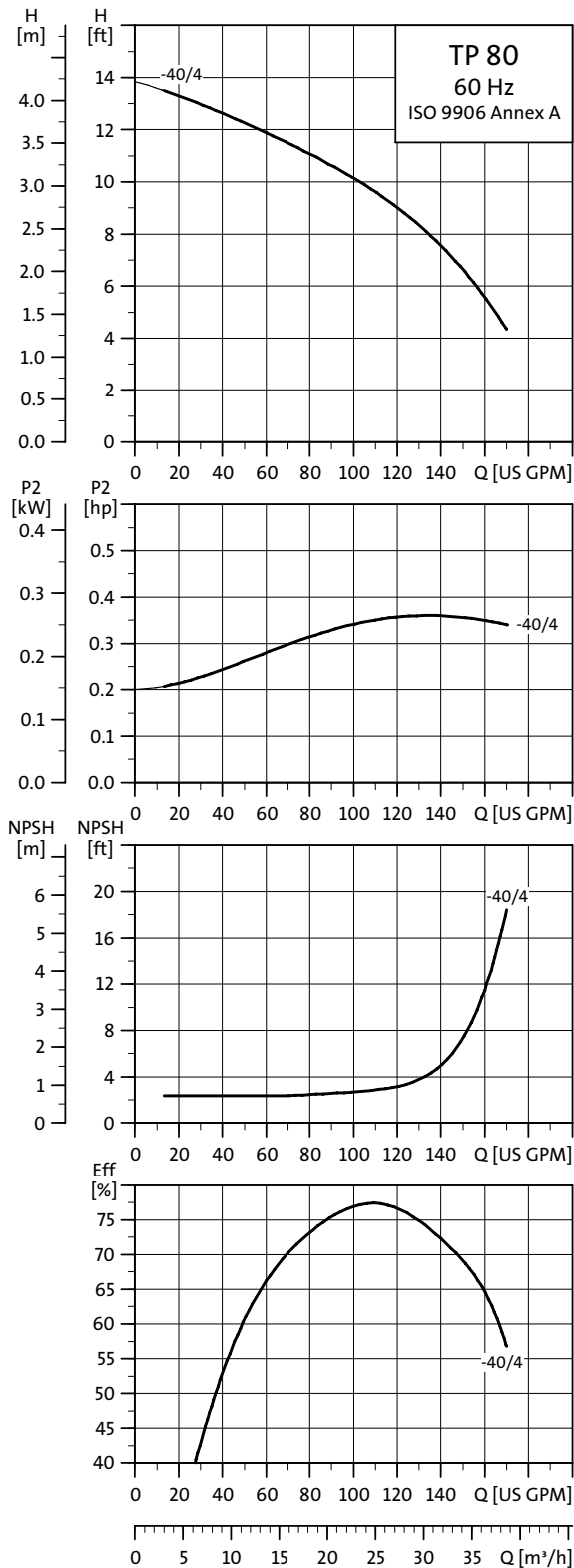
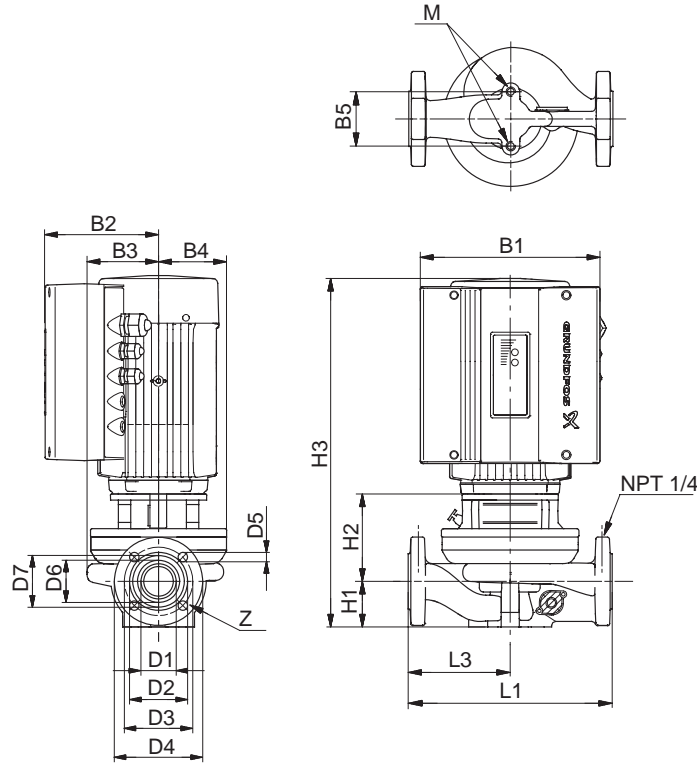


## TP 80-XX/4



TM02 5561 3206



TM03 3669 0606

## Technical data

Pump type	TPE 80-40/4	
Motor Type	NEMA 56C	
P2 [HP] / Max Speed [RPM]	0.50	1690
Motor Flange	56C	
Flange Type	3" ANSI 125lb..RF.	
D1 [Inch] / [mm]	3 3/16	80.8
D2 [Inch] / [mm]	5	127
D3 [Inch] / [mm]	6	152
D4 [Inch] / [mm]	7 9/16	191
D5 [Inch] / [mm]	3/4	19
B1 [Inch] / [mm]	5 9/16	141
B2 [Inch] / [mm]	5 1/2	140
B3 [Inch] / [mm]	4 15/16	125
B4 [Inch] / [mm]	3 15/16	100
B5 [Inch] / [mm]	6 5/16	160
H1 [Inch] / [mm]	3 7/8	97
H2 [Inch] / [mm]	6 3/8	160.9
H3 [Inch] / [mm]	17 3/4	450.9
L1 [Inch] / [mm]	19	482.6
L3 [Inch] / [mm]	9 1/2	241.3
M	M16	M16
Net Weigt [lbs] / [kg]	120	54.4
Gross Weigt [lbs] / [kg]	122	55.3