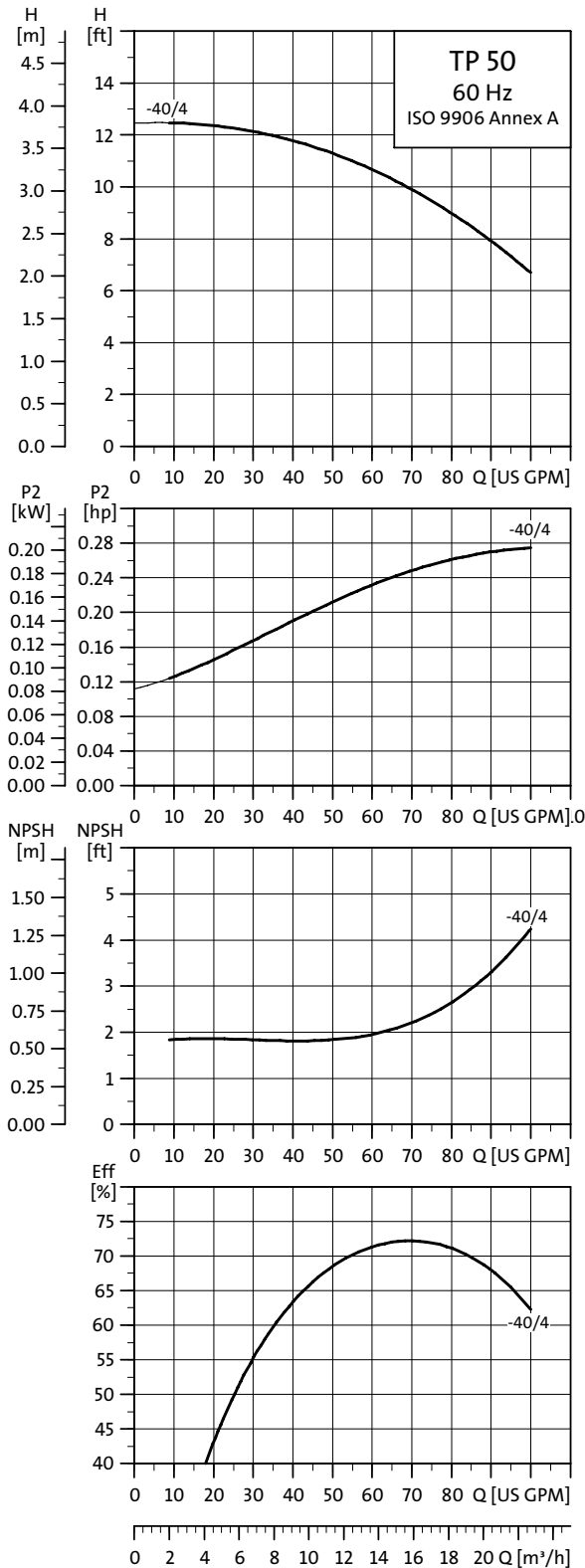
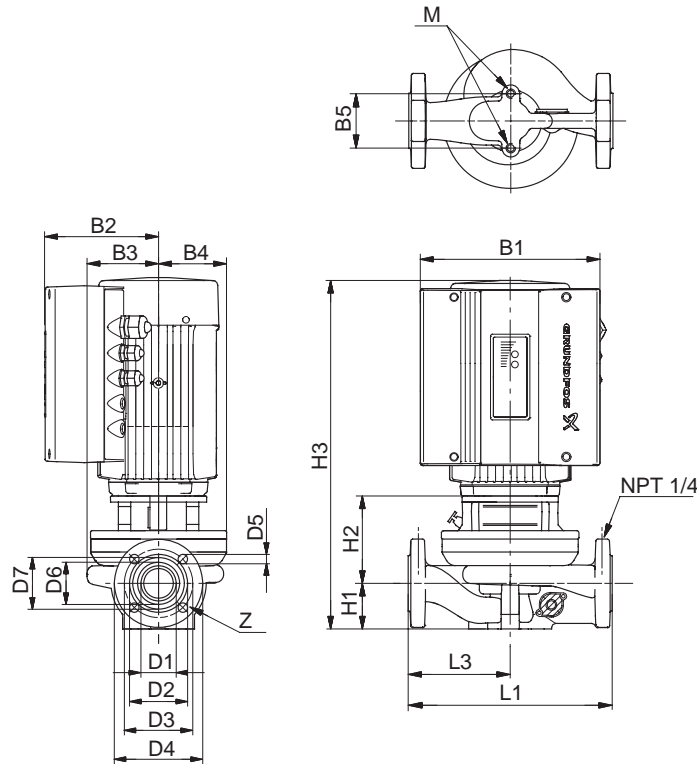


TP 50-XX/4



TM02 5560 3206



TM03 3669 0606

Technical data

Pump type	TPE 50-40/4	
Motor Type	NEMA 56C	
P2 [HP] / Max Speed [RPM]	0.33	1690
Motor Flange	56C	
Flange Type	US (1)	
D1 [Inch] / [mm]	2 1/8	53
D2 [Inch] / [mm]	3 1/2	87.5
D3 [Inch] / [mm]	4 1/8	103.2
D4 [Inch] / [mm]	5 1/4	133
D5 [Inch] / [mm]	5/8	14.3
D6 [Inch] / [mm]	2 1/2	63
D7 [Inch] / [mm]	3 1/8	77.8
B1 [Inch] / [mm]	5 9/16	141
B2 [Inch] / [mm]	5 1/2	140
B3 [Inch] / [mm]	3 9/16	90
B4 [Inch] / [mm]	3	75
B5 [Inch] / [mm]	4 3/4	120
H1 [Inch] / [mm]	3 1/4	82
H2 [Inch] / [mm]	6 1/4	157.6
H3 [Inch] / [mm]	17 1/16	432.6
L1 [Inch] / [mm]	14	355.6
L3 [Inch] / [mm]	7	177.8
M	M12	
Net Weigt [lbs] / [kg]	68	31
Gross Weigt [lbs] / [kg]	71	32.2

(1) 2", 4 bolt with 9/16" dia. holes