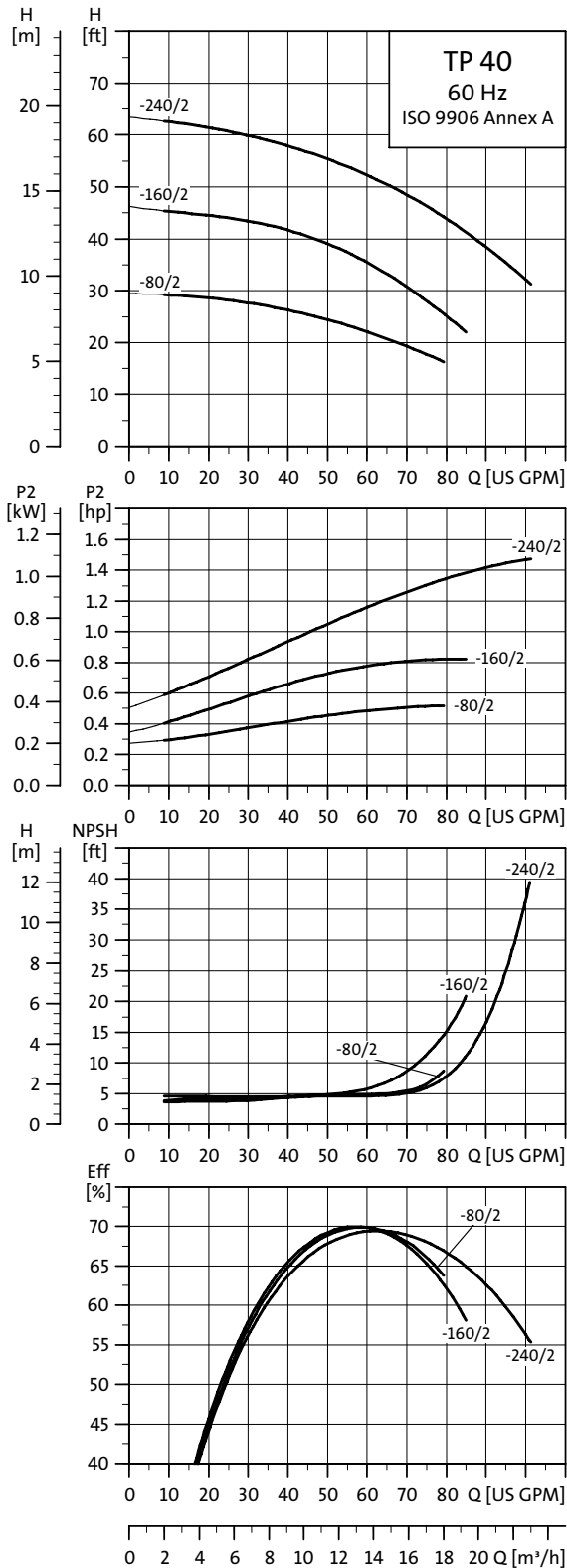
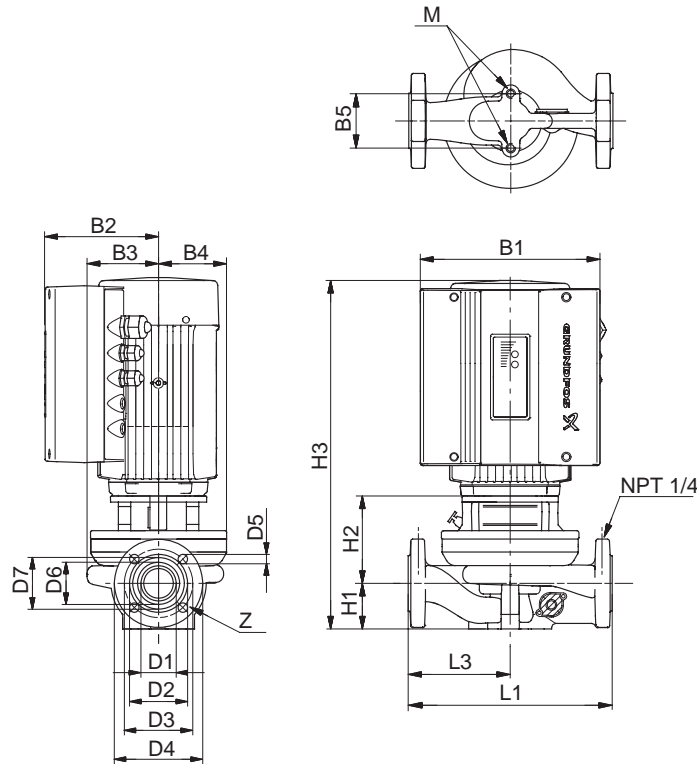


## TP 40-XX/2



TM02 5554 3206



TM03 3669 0606

## Technical data

Pump type	TPE 40-80/2		TPE 40-160/2		TPE 40-240/2	
	Motor Type	NEMA 56C	NEMA 56C	NEMA 56C	NEMA 56C	NEMA 56C
<b>P2 [HP] / Max Speed [RPM]</b>	0.75	3400	0.75	3400	1.5	3400
<b>Motor Flange</b>	56C		56C		56C	
<b>Flange Type</b>	US (1)		US (1)		US (1)	
<b>D1 [Inch] / [mm]</b>	1 11/16	41.8	1 11/16	41.8	1 11/16	41.8
<b>D2 [Inch] / [mm]</b>	2 7/8	73	2 7/8	73	2 7/8	73
<b>D3 [Inch] / [mm]</b>	3 15/16	99	3 15/16	99	3 15/16	99
<b>D4 [Inch] / [mm]</b>	5	127	5	127	5	127
<b>D5 [Inch] / [mm]</b>	5/8	16	5/8	16	5/8	16
<b>D6 [Inch] / [mm]</b>	2 1/16	52	2 1/16	52	2 1/16	52
<b>D7 [Inch] / [mm]</b>	2 9/16	64.6	2 9/16	64.6	2 9/16	64.6
<b>B1 [Inch] / [mm]</b>	5 9/16	141	5 9/16	141	5 9/16	141
<b>B2 [Inch] / [mm]</b>	5 1/2	140	5 1/2	140	5 1/2	140
<b>B3 [Inch] / [mm]</b>	3	75	3 15/16	100	3 15/16	100
<b>B4 [Inch] / [mm]</b>	3	75	3 15/16	100	3 15/16	100
<b>B5 [Inch] / [mm]</b>	4 3/4	120	3 3/16	80	3 3/16	80
<b>H1 [Inch] / [mm]</b>	2 11/16	68	2 11/16	68	2 11/16	68
<b>H2 [Inch] / [mm]</b>	6 1/16	153.4	5 7/8	148	6 3/16	156.6
<b>H3 [Inch] / [mm]</b>	16 5/16	414.4	16 1/8	409	17 5/8	447.6
<b>L1 [Inch] / [mm]</b>	13 1/2	342.9	13 1/2	342.9	13 1/2	342.9
<b>L3 [Inch] / [mm]</b>	6 13/16	171.5	6 13/16	171.5	6 13/16	171.5
<b>M</b>	M12	M12	M12	M12	M12	M12
<b>Net Weight [lbs]/[kg]</b>	65	29	72	33	77	35
<b>Gross Weight [lbs] / [kg]</b>	68	30.8	75	34	80	36.3

(1) 1-1/2", 2 bolt with 5/82 dia. holes