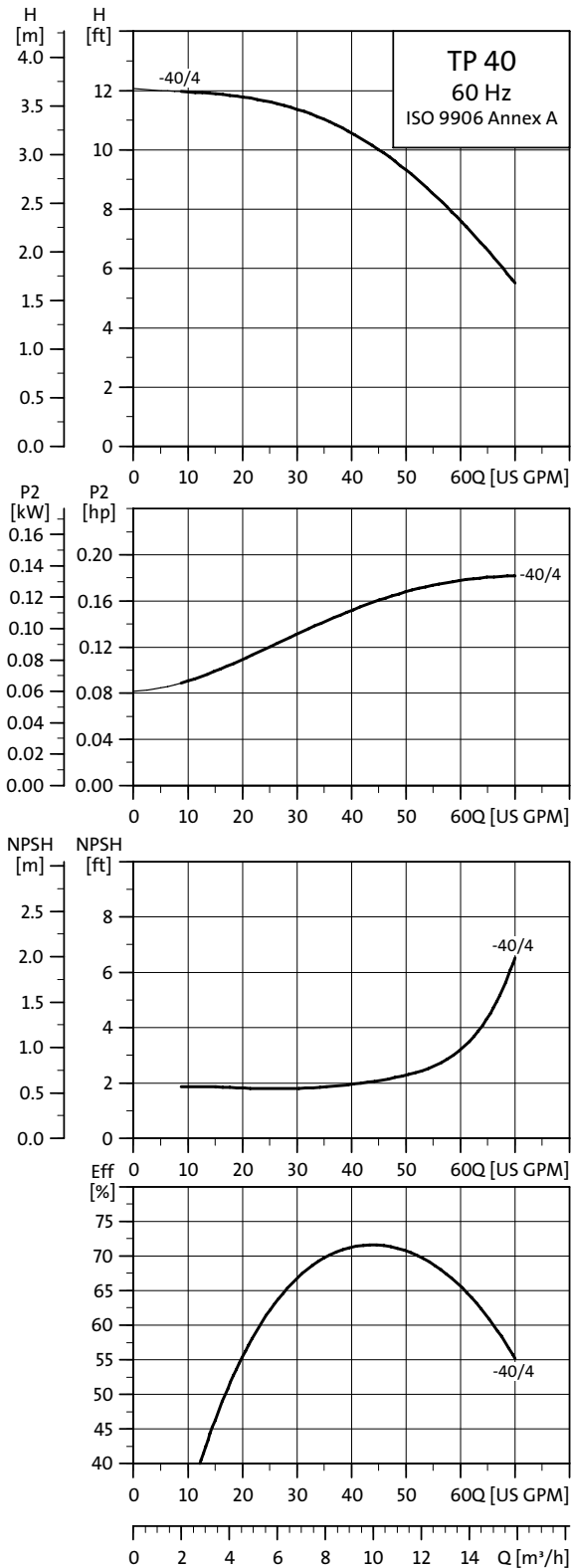
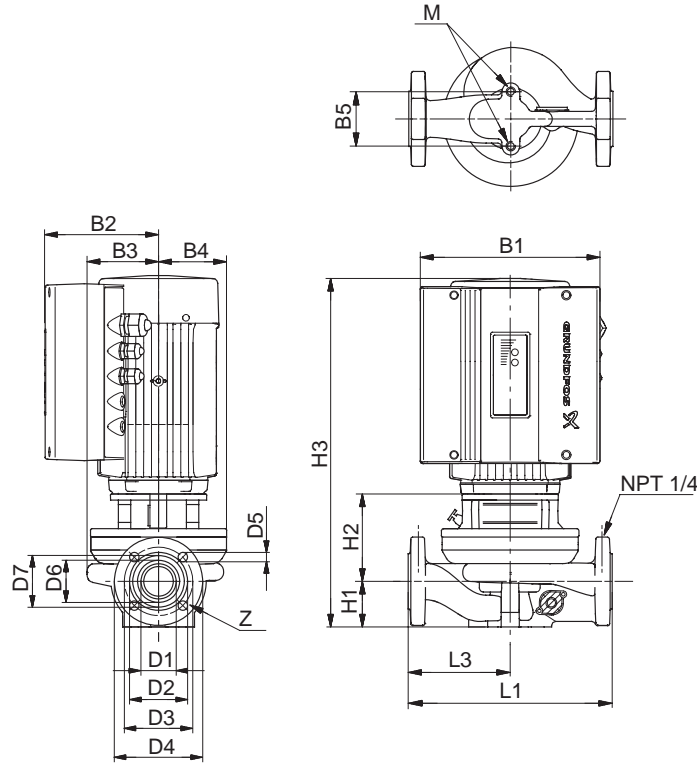


TP 40-XX/4



TM02 5062 3206



TM03 3669 0606

Technical data

| Pump type | TPE 40-40/4 | |
|---------------------------|----------------|-------|
| Motor Type | NEMA 56C | |
| P2 [HP] / Max Speed [RPM] | 0.33 | 1690 |
| Motor Flange | 56C | |
| Flange Type | US (1) | |
| D1 [Inch] / [mm] | 1 11/16 | 41.8 |
| D2 [Inch] / [mm] | 2 7/8 | 73 |
| D3 [Inch] / [mm] | 3 15/16 | 99 |
| D4 [Inch] / [mm] | 5 | 127 |
| D5 [Inch] / [mm] | 11/16 | 16 |
| D6 [Inch] / [mm] | 2 1/16 | 52 |
| D7 [Inch] / [mm] | 2 9/16 | 64.6 |
| B1 [Inch] / [mm] | 5 9/16 | 141 |
| B2 [Inch] / [mm] | 5 1/2 | 140 |
| B3 [Inch] / [mm] | 3 3/8 | 85 |
| B4 [Inch] / [mm] | 3 | 75 |
| B5 [Inch] / [mm] | 4 3/4 | 120 |
| H1 [Inch] / [mm] | 2 11/16 | 68 |
| H2 [Inch] / [mm] | 6 1/8 | 154.5 |
| H3 [Inch] / [mm] | 16 3/8 | 415.5 |
| L1 [Inch] / [mm] | 13 1/2 | 342.9 |
| L3 [Inch] / [mm] | 6 13/16 | 171.5 |
| M | M12 | |
| Net Weigt [lbs] / [kg] | 62 | 28 |
| Gross Weigt [lbs] / [kg] | 65 | 29.5 |

(1) 1-1/2", 2 bolt 5/8" dia. holes