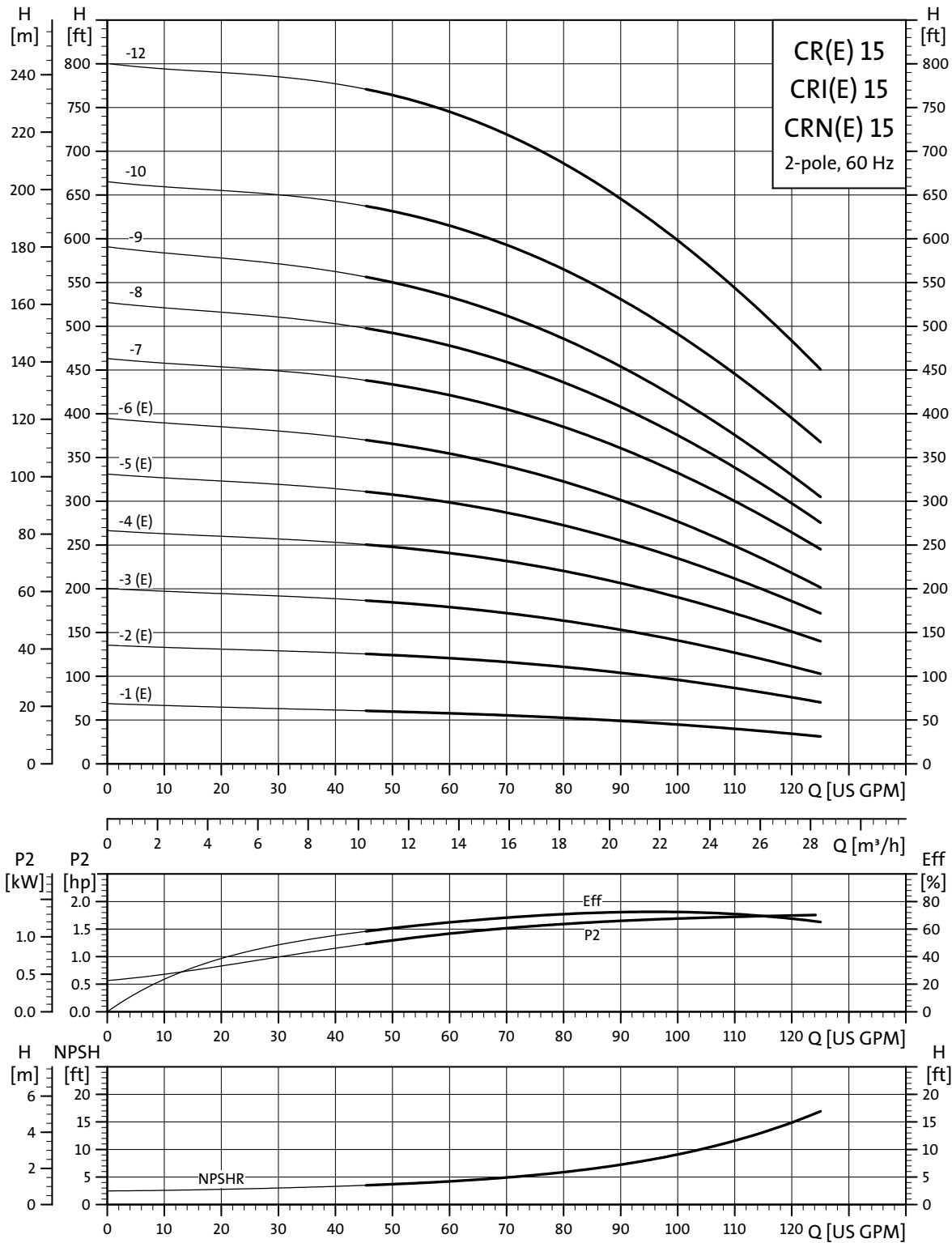


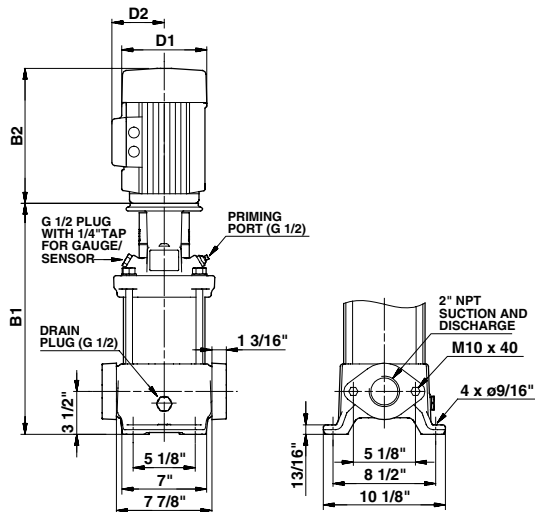
Performance curves

CR(E), CRI(E), CRN(E) 15

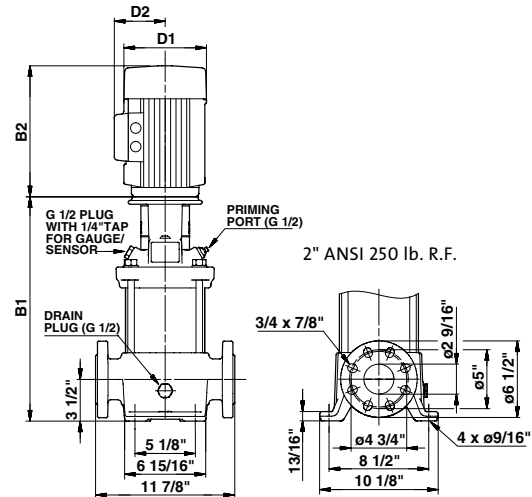


TM02 7222 2803

Dimensional sketches



TM03 1460 2205



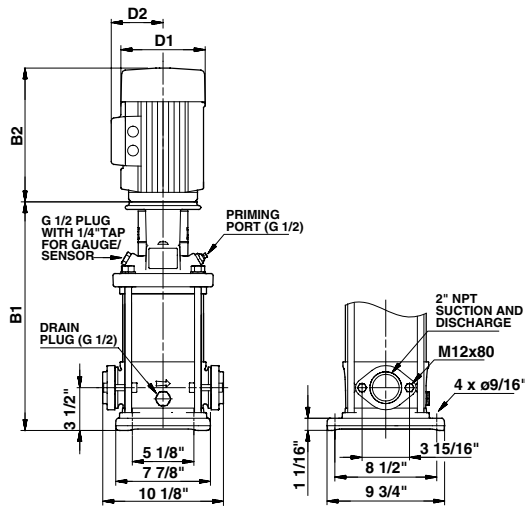
TM03 1461 2205

Dimensions and weights

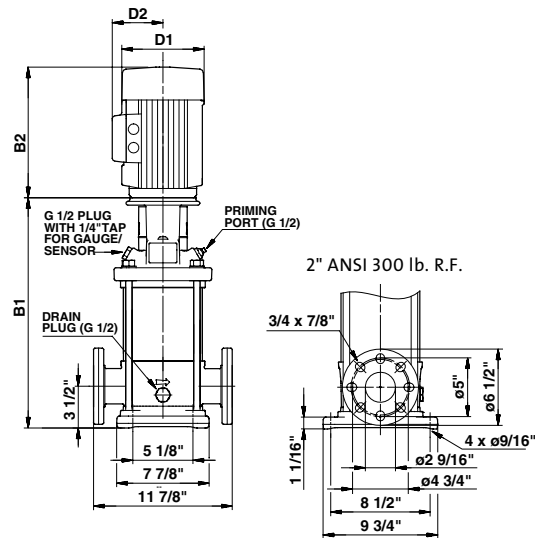
Pump type	Hp	Ph	Voltage	NEMA Frame size	Oval B1	ANSI B1	TEFC				ODP				Oval ANSI Ship		MLE				Oval ANSI Ship	
							D1	D2	Oval B1+B2	ANSI B1+B2	D1	D2	Oval B1+B2	ANSI B1+B2	Wt. ¹ [lbs.]	Wt. ¹ [lbs.]	D1	D2	Oval B1+B2	ANSI B1+B2	Wt. ¹ [lbs.]	Wt. ¹ [lbs.]
CR(E) 15-1	2	1	115/208-230	56C	16 1/2	16 1/2	7 1/4	5 3/4	29 1/8	29 1/8	-	-	-	-	134	136	-	-	-	-	-	-
			208-230/460	56C	16 1/2	16 1/2	7 1/8	4 3/8	28	28	-	-	-	-	123	126	7	6 5/8	28	28	135	137
CR(E) 15-2	5	1	208-230	182TC	17 1/4	17 1/4	10 5/8	7 1/2	32 5/8	32 5/8	-	-	-	-	191	194	-	-	-	-	-	-
			208-230/460	182TC	17 1/4	17 1/4	7 1/8	4 3/8	30 1/2	30 1/2	-	-	-	-	146	148	8 3/4	7 1/2	32 5/8	32 5/8	190	192
CR(E) 15-3	5	1	208-230	182TC	19	19	10 5/8	7 1/2	34 3/8	34 3/8	-	-	-	-	194	196	-	-	-	-	-	-
			208-230/460	182TC	19	19	7 1/8	4 3/8	32 1/4	32 1/4	-	-	-	-	150	152	8 3/4	7 1/2	34 1/2	34 1/2	195	197
CR(E) 15-4	7 1/2	1	208-230	213TC	21 1/8	21 1/8	10 1/4	7 1/2	36 1/2	36 1/2	-	-	-	-	216	218	-	-	-	-	-	-
			208-230/460	213TC	21 1/8	21 1/8	8 3/4	5 3/8	36 3/4	36 3/4	-	-	-	-	205	208	8 3/4	7 1/2	36 5/8	36 5/8	224	226
CR(E) 15-5	10	1	230	213TC	22 7/8	22 7/8	10 1/4	10 3/8	38 3/4	38 3/4	-	-	-	-	244	246	-	-	-	-	-	-
			208-230/460	213TC	22 7/8	22 7/8	8 3/4	5 3/8	38 1/2	38 1/2	-	-	-	-	194	196	8 3/4	7 1/2	38 3/8	38 3/8	235	237
CR(E) 15-6	10	1	230	213TC	-	24 5/8	10 1/4	10 3/8	-	40 1/2	-	-	-	-	249	-	-	-	-	-	-	-
			208-230/460	213TC	-	24 5/8	8 3/4	5 3/8	-	40 1/4	-	-	-	-	200	-	8 3/4	7 1/2	-	40 1/8	-	242
CR 15-7	15	3	208-230/460	254TC	-	29	10 3/8	8 3/4	-	45 5/8	10 5/8	7 3/8	-	45 1/8	-	257	-	-	-	-	-	-
CR 15-8	15	3	208-230/460	254TC	-	30 3/4	10 3/8	8 3/4	-	47 3/8	10 5/8	7 3/8	-	46 7/8	-	262	-	-	-	-	-	-
CR 15-9	15	3	208-230/460	254TC	-	32 1/2	10 3/8	8 3/4	-	49 1/8	10 5/8	7 3/8	-	48 5/8	-	354	-	-	-	-	-	-
CR 15-10	20	3	230/460	254TC	-	34 1/4	10 3/8	8 3/4	-	50 5/8	11 1/2	9	-	52 1/4	-	407	-	-	-	-	-	-
CR 15-12	25	3	230/460	284TSC	-	37 1/4	13	9 1/2	-	57	11 1/2	9	-	58 1/4	-	498	-	-	-	-	-	-

Weights are based on pump with TEFC motor (see price list for individual weights)
All dimensions in inches unless otherwise noted.

Dimensional sketches



TM03 1458 2205



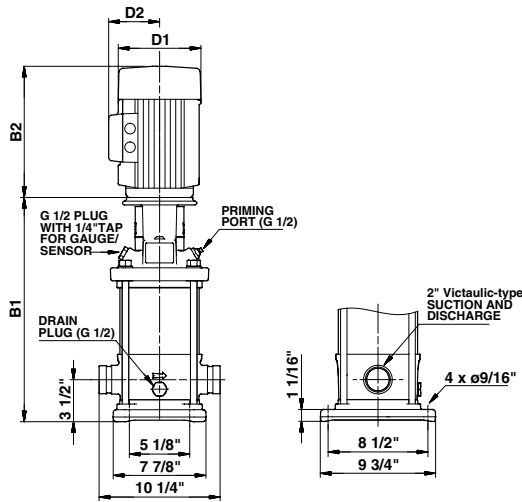
TM03 1459 2205

Dimensions and weights

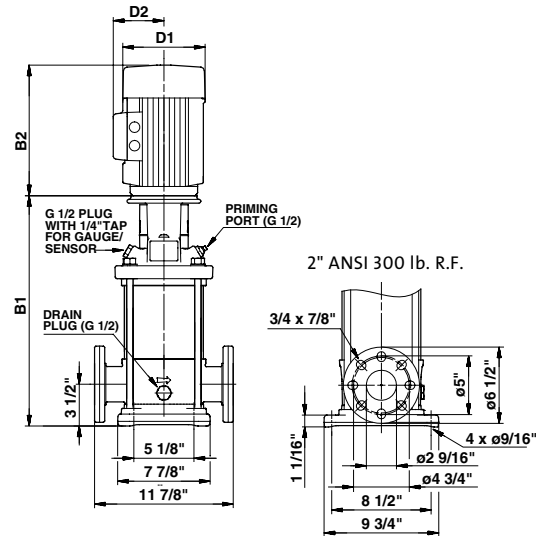
Pump type	Hp	Ph	Voltage	NEMA Frame size	Oval B1	ANSI B1	TEFC				ODP				MLE							
							D1	D2	Oval B1+B2	ANSI B1+B2	D1	D2	Oval B1+B2	ANSI B1+B2	Oval Ship Wt. ¹ [lbs.]	ANSI Ship Wt. ¹ [lbs.]	D1	D2	Oval B1+B2	ANSI B1+B2	Oval Ship Wt. ¹ [lbs.]	ANSI Ship Wt. ¹ [lbs.]
CRI(E) 15-1	2	1	115/208-230	56C	16 3/8	16 3/8	7 1/4	5 3/4	29	29	-	-	-	-	121	130	-	-	-	-		
		3	208-230/460	56C	16 3/8	16 3/8	7 1/8	4 3/8	27 7/8	27 7/8	-	-	-	-	112	119	7	6 5/8	27 7/8	27 7/8	124	131
CRI(E) 15-2	5	1	208-230	182TC	17 1/8	17 1/8	10 5/8	7 1/2	32 1/2	32 1/2	-	-	-	-	178	185	-	-	-	-	-	-
		3	208-230/460	182TC	17 1/8	17 1/8	7 1/8	4 3/8	30 3/8	30 3/8	-	-	-	-	135	141	8 3/4	7 1/2	32 5/8	32 5/8	179	186
CRI(E) 15-3	5	1	208-230	182TC	18 7/8	18 7/8	10 5/8	7 1/2	34 1/4	34 1/4	-	-	-	-	183	189	-	-	-	-	-	-
		3	208-230/460	182TC	18 7/8	18 7/8	7 1/8	4 3/8	32 1/8	32 1/8	-	-	-	-	137	144	8 3/4	7 1/2	34 3/8	34 3/8	181	188
CRI(E) 15-4	7 1/2	1	208-230	213TC	21	21	10 1/4	7 1/2	36 3/8	36 3/8	-	-	-	-	202	209	-	-	-	-	-	-
		3	208-230/460	213TC	21	21	8 3/4	5 3/8	36 5/8	36 5/8	-	-	-	-	194	201	8 3/4	7 1/2	36 1/2	36 1/2	213	219
CRI(E) 15-5	10	1	230	213TC	22 3/4	22 3/4	10 1/4	10 3/8	38 5/8	38 5/8	-	-	-	-	231	238	-	-	-	-	-	-
		3	208-230/460	213TC	22 3/4	22 3/4	8 3/4	5 3/8	38 3/8	38 3/8	-	-	-	-	178	187	8 3/4	7 1/2	38 1/4	38 1/4	220	229
CRI(E) 15-6	10	1	230	213TC	24 1/2	24 1/2	10 1/4	10 3/8	40 3/8	40 3/8	-	-	-	-	235	242	-	-	-	-	-	-
		3	208-230/460	213TC	24 1/2	24 1/2	8 3/4	5 3/8	39 7/8	40 1/8	-	-	-	-	185	191	8 3/4	7 1/2	40	40	230	233
CRI 15-7	15	3	208-230/460	254TC	28 7/8	28 7/8	10 3/8	8 3/4	45 1/2	45 1/2	10 5/8	7 3/8	45	45	244	251	-	-	-	-	-	-
CRI 15-8	15	3	208-230/460	254TC	30 5/8	30 5/8	10 3/8	8 3/4	47 1/4	47 1/4	10 5/8	7 3/8	46 3/4	46 3/4	249	253	-	-	-	-	-	-
CRI 15-9	15	3	208-230/460	254TC	-	32 3/8	10 3/8	8 3/4	-	49	10 5/8	7 3/8	-	48 1/2	-	345	-	-	-	-	-	-
CRI 15-10	20	3	230/460	254TC	-	34 1/8	10 3/8	8 3/4	-	50 1/2	11 1/2	9	-	52 1/8	-	400	-	-	-	-	-	-
CRI 15-12	25	3	230/460	284TSC	-	37 1/8	13	9 1/2	-	56 7/8	11 1/2	9	-	58 1/8	-	387	-	-	-	-	-	-

Weights based on pump with TEFC motor (see price list for individual weights)
All dimensions in inches unless otherwise noted.

Dimensional sketches



TM03 1457 2205



TM03 1459 2205

Dimensions and weights

Pump type	Hp	Ph	Voltage	NEMA Frame size	PJE B1	ANSI B1	TEFC				ODP				MLE						
							D1	D2	PJE B1+B2	ANSI B1+B2	D1	D2	PJE B1+B2	ANSI B1+B2	D1	D2	PJE B1+B2	ANSI B1+B2			
CRN(E) 15-1	2	1	115/208-230	56C	16 3/8	16 3/8	7 1/4	5 3/4	29	29	-	-	-	-	119	130	-	-	-	-	
		3	208-230/460	56C	16 3/8	16 3/8	7 1/8	4 3/8	27 7/8	27 7/8	-	-	-	-	108	119	7	6 5/8	27 7/8	27 7/8	120
CRN(E) 15-2	5	1	208-230	182TC	17 1/8	17 1/8	10 5/8	7 1/2	32 1/2	32 1/2	-	-	-	-	176	185	-	-	-	-	-
		3	208-230/460	182TC	17 1/8	17 1/8	7 1/8	4 3/8	30 3/8	30 3/8	-	-	-	-	130	141	8 3/4	7 1/2	32 5/8	32 5/8	175
CRN(E) 15-3	5	1	208-230	182TC	18 7/8	18 7/8	10 5/8	7 1/2	34 1/4	34 1/4	-	-	-	-	178	189	-	-	-	-	-
		3	208-230/460	182TC	18 7/8	18 7/8	7 1/8	4 3/8	32 1/8	32 1/8	-	-	-	-	135	144	8 3/4	7 1/2	34 3/8	34 3/8	179
CRN(E) 15-4	7 1/2	1	208-230	213TC	21	21	10 1/4	7 1/2	36 3/8	36 3/8	-	-	-	-	200	209	-	-	-	-	-
		3	208-230/460	213TC	21	21	8 3/4	5 3/8	36 5/8	36 5/8	-	-	-	-	190	201	8 3/4	7 1/2	36 1/2	36 1/2	208
CRN(E) 15-5	10	1	230	213TC	22 3/4	22 3/4	10 1/4	10 3/8	38 5/8	38 5/8	-	-	-	-	229	238	-	-	-	-	-
		3	208-230/460	213TC	22 3/4	22 3/4	8 3/4	5 3/8	38 3/8	38 3/8	-	-	-	-	176	187	8 3/4	7 1/2	38 1/4	38 1/4	218
CRN(E) 15-6	10	1	230	213TC	24 1/2	24 1/2	10 1/4	10 3/8	40 3/8	40 3/8	-	-	-	-	231	242	-	-	-	-	-
		3	208-230/460	213TC	24 1/2	24 1/2	8 3/4	5 3/8	40 1/8	40 1/8	-	-	-	-	183	191	8 3/4	7 1/2	40	40	224
CRN 15-7	15	3	208-230/460	254TC	28 7/8	28 7/8	10 3/8	8 3/4	45 1/2	45 1/2	10 5/8	7 3/8	45	45	240	251	-	-	-	-	-
CRN 15-8	15	3	208-230/460	254TC	30 5/8	30 5/8	10 3/8	8 3/4	47 1/4	47 1/4	10 5/8	7 3/8	46 3/4	46 3/4	244	253	-	-	-	-	-
CRN 15-9	15	3	208-230/460	254TC	32 3/8	32 3/8	10 3/8	8 3/4	49	49	10 5/8	7 3/8	48 1/2	48 1/2	337	345	-	-	-	-	-
CRN 15-10	20	3	230/460	254TC	34 1/8	34 1/8	10 3/8	8 3/4	50 1/2	50 1/2	11 1/2	9	52 1/8	52 1/8	389	400	-	-	-	-	-
CRN 15-12	25	3	230/460	284TSC	37 1/8	37 1/8	13	9 1/2	56 7/8	56 7/8	11 1/2	9	58 1/8	58 1/8	376	387	-	-	-	-	-

Weights based on pump with TEFC-motor (see price list for individual weights)
All dimensions in inches unless otherwise noted.