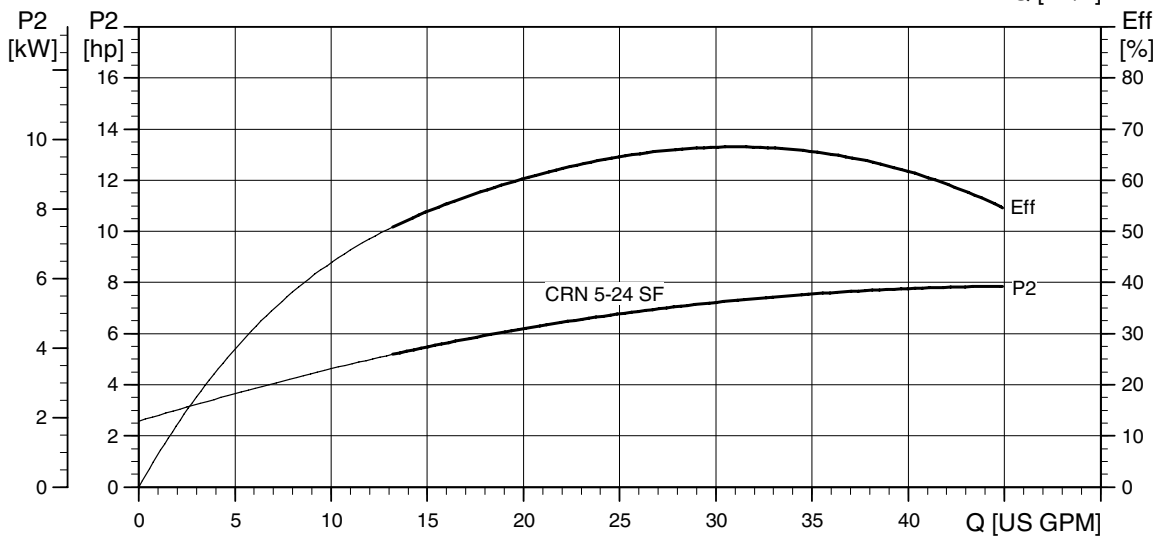
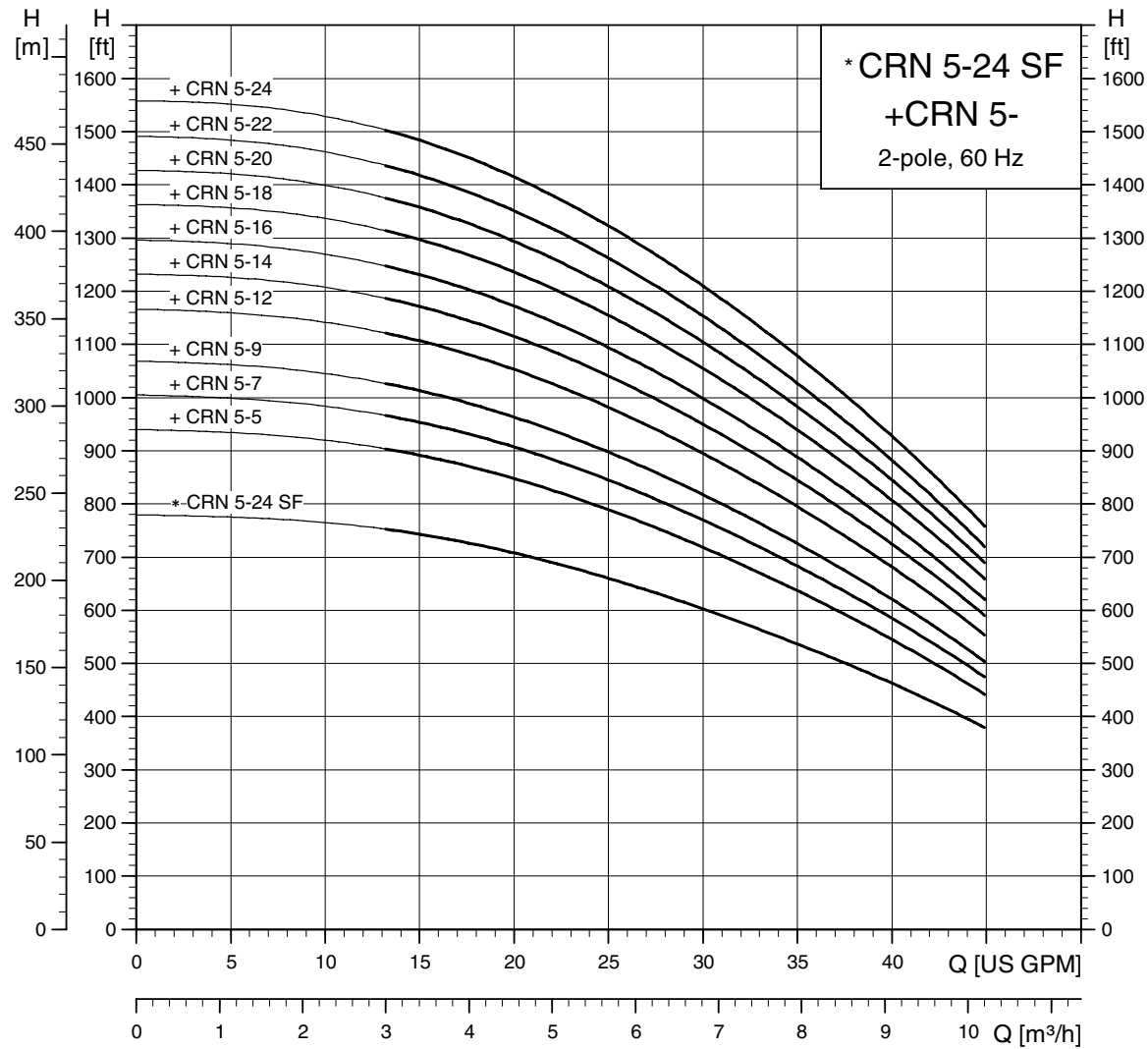
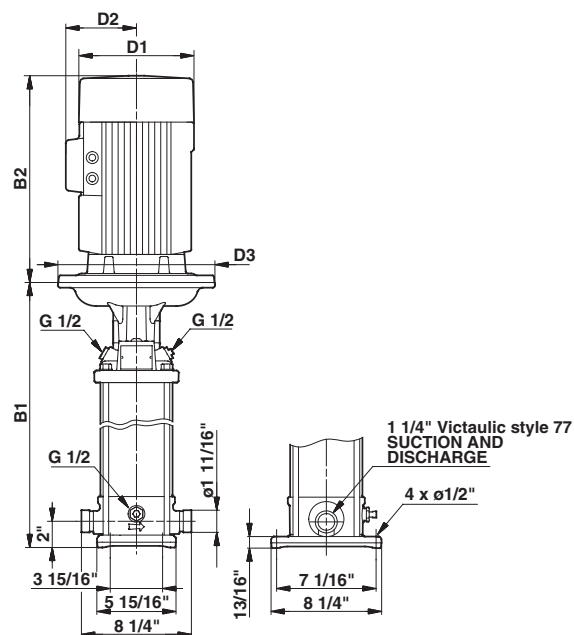


CRN 5-SF

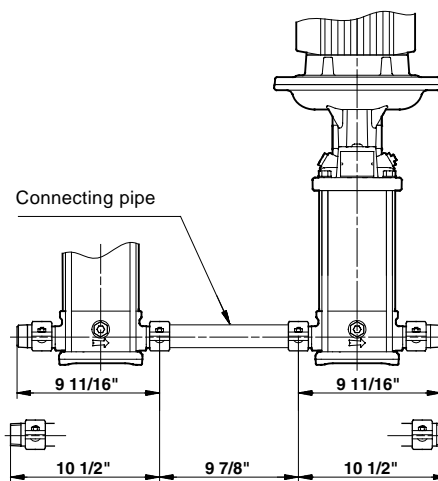


TM02 8310 2806

Dimensional sketches



CRN feed pump/CRN SF high-pressure pump



CRN feed pump, connecting pipe and CRN SF high-pressure pump

Dimensions and weights

Pump type	P2 [hp]	Dimensions [in]					Ship weight [lbs]
		B1	B2	B1 + B2	D1	D2	
CRN 5-5	1 1/2	14 3/8	8 7/8	23 1/4	5 5/8	4 5/8	57
CRN 5-7	2	16 1/2	11 1/2	28	7 1/8	4 3/8	82
CRN 5-9	3	19 5/8	11 3/4	31 3/8	7 1/8	4 3/8	91
CRN 5-12	5	22 7/8	13 1/4	36 1/8	7 1/8	4 3/8	104
CRN 5-14	5	25	13 1/4	38 1/4	7 1/8	4 3/8	107
CRN 5-16	5	27 1/8	13 1/4	40 3/8	7 1/8	4 3/8	113
CRN 5-18	7 1/2	29 5/8	15 5/8	45 1/4	8 3/4	5 3/8	171
CRN 5-20	7 1/2	31 3/4	15 5/8	47 3/8	8 3/4	5 3/8	174
CRN 5-22	7 1/2	33 7/8	15 5/8	49 1/2	8 3/4	5 3/8	251
CRN 5-24	7 1/2	36	15 5/8	51 5/8	8 3/4	5 3/8	254
CRN 5-24 SF	10	36	15 1/2	51 1/2	8 3/4	5 3/8	180