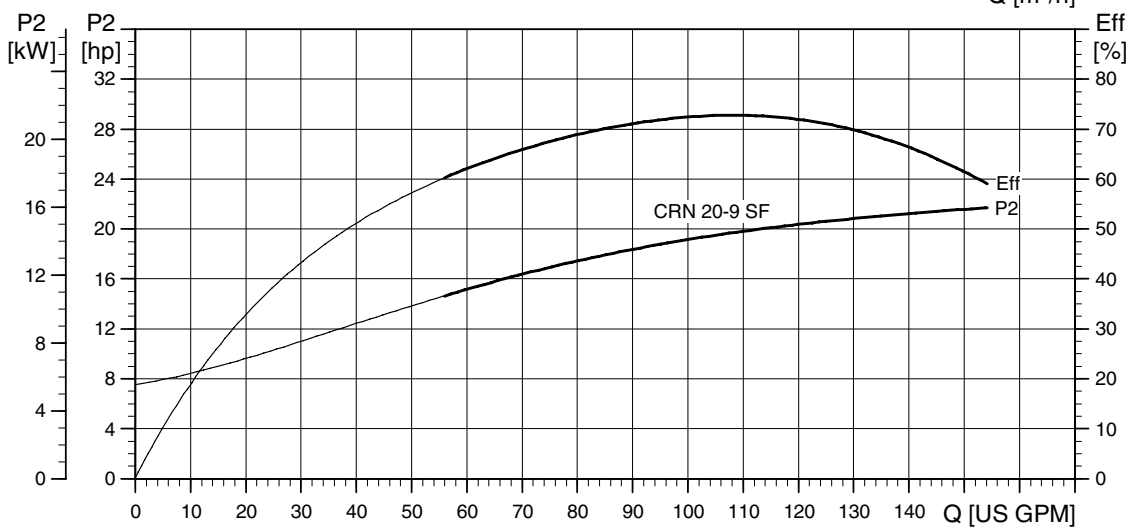
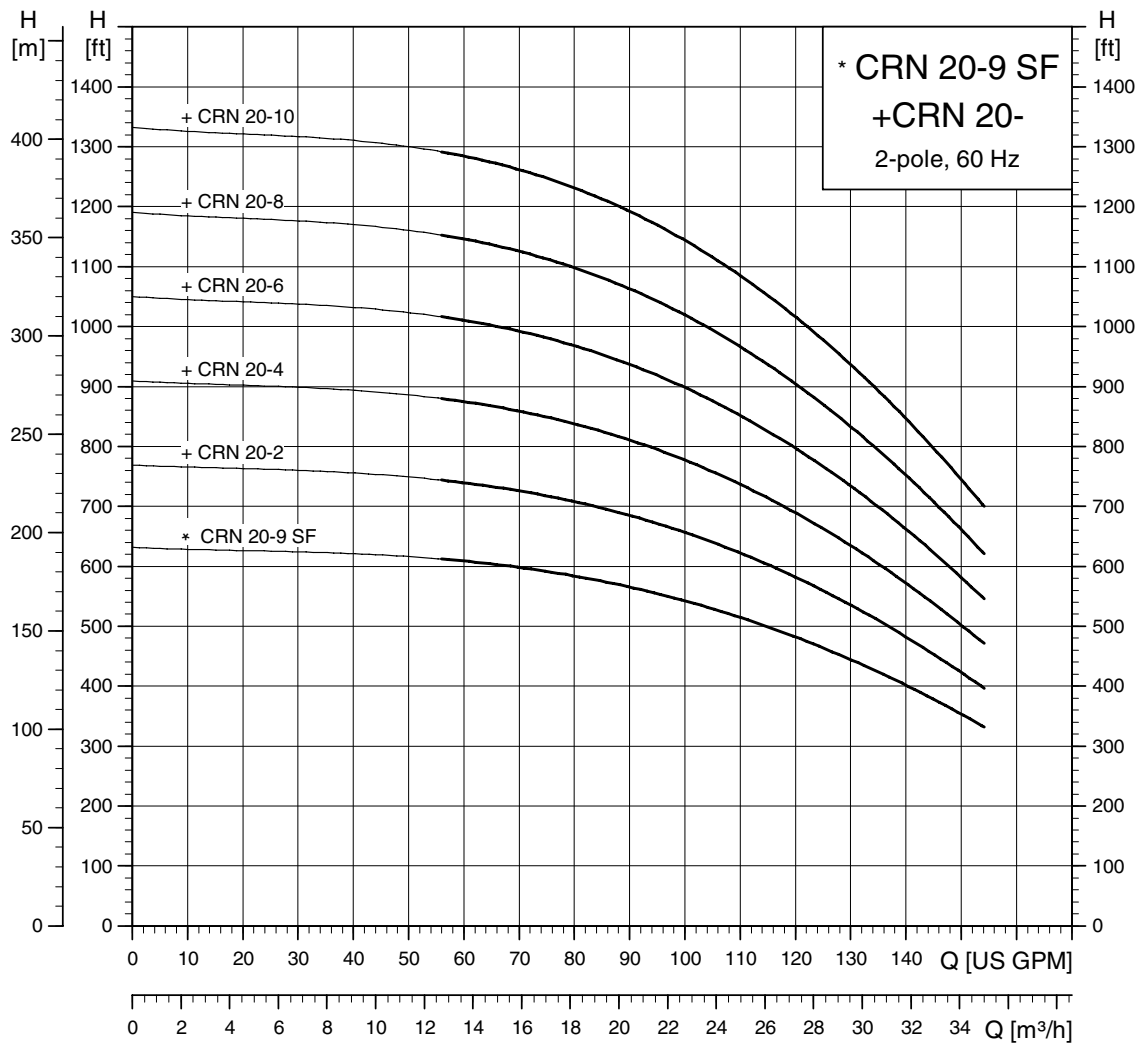
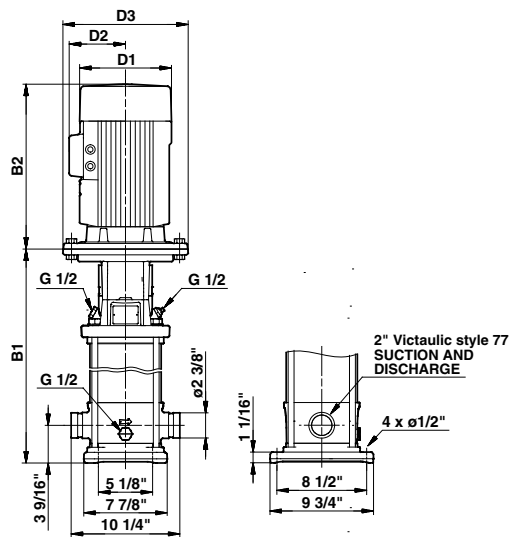


CRN 20-SF



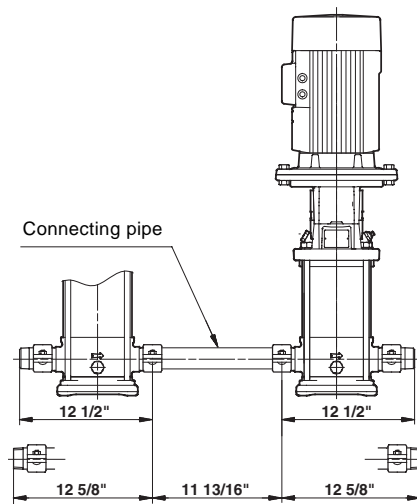
TM02 8313 2806

Dimensional sketches



CRN feed pump/CRN SF high-pressure pump

TM02 8850 1906



CRN feed pump, connecting pipe and CRN SF high-pressure pump

TM02 8851 0904

Dimensions and weights

Pump type	P2 [hp]	Dimensions [in]					Ship weight [lbs]
		B1	B2	B1 + B2	D1	D2	
CRN 20-2	5	17 1/8	13 1/4	30 3/8	7 1/8	4 3/8	135
CRN 20-4	10	21	15 5/8	36 5/8	8 3/4	5 3/8	196
CRN 20-6	15	27 1/8	16 5/8	43 3/4	10 3/8	8 3/4	276
CRN 20-8	20	30 5/8	16 3/8	47	10 3/8	8 3/4	369
CRN 20-10	25	33 1/2	19 3/4	53 1/4	13	9 1/2	472
CRN 20-9 SF	25	33 1/2	20 1/2	54	12 5/8	7 7/8	374