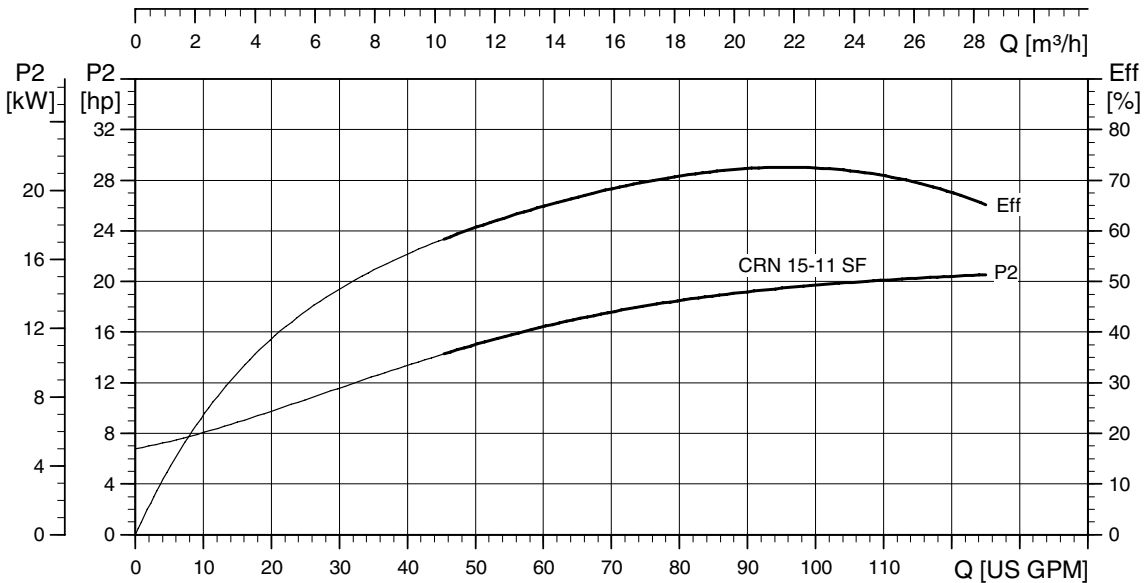
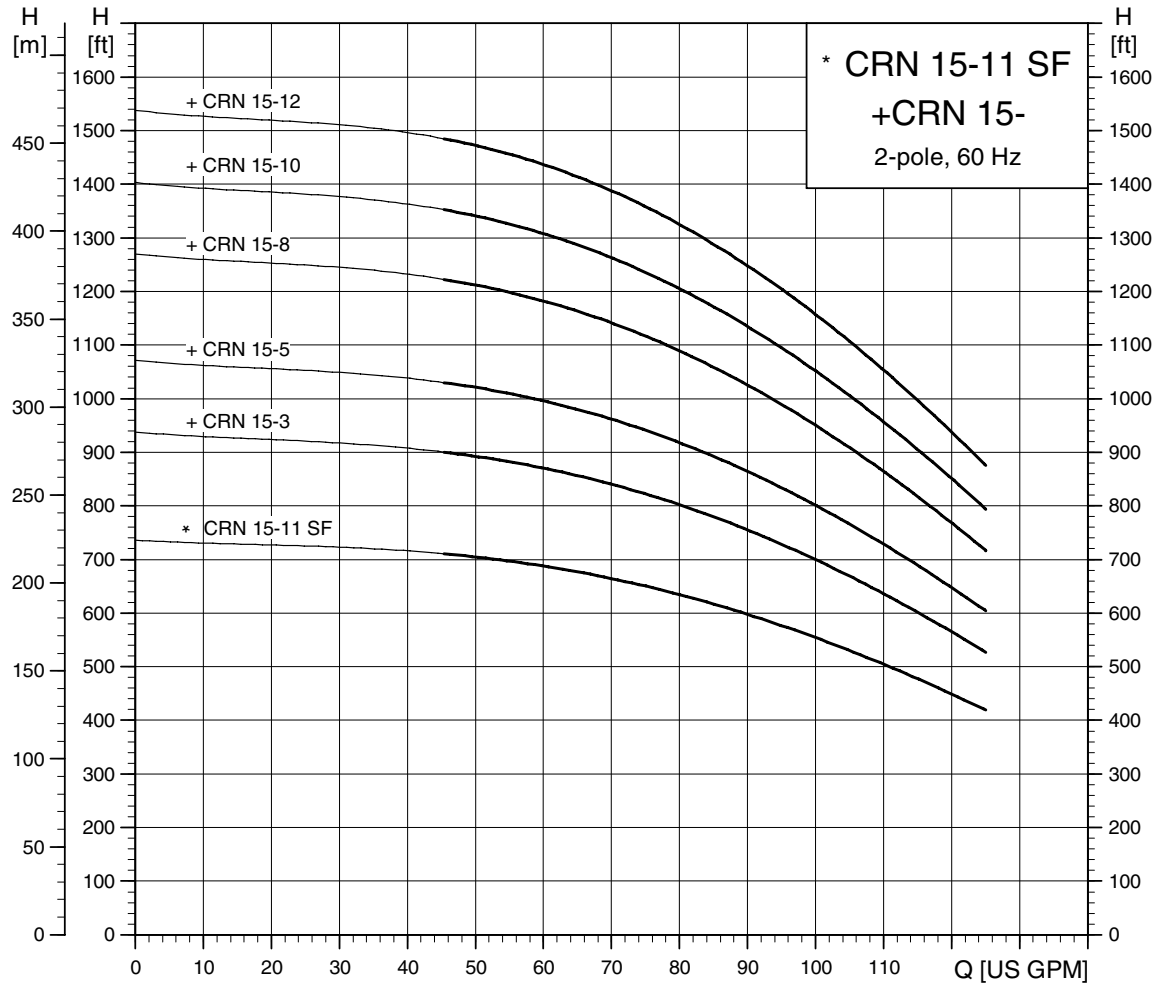
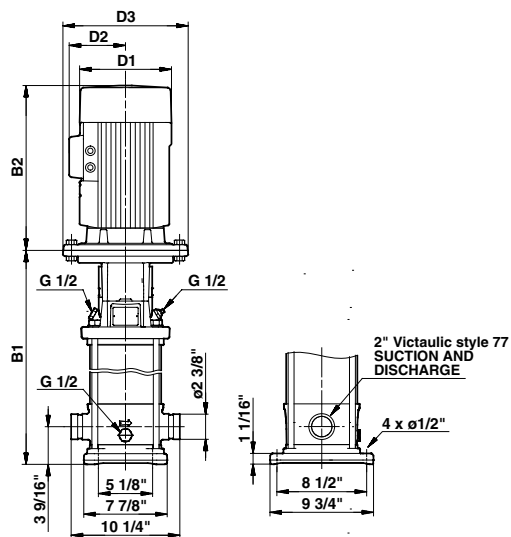


CRN 15-SF



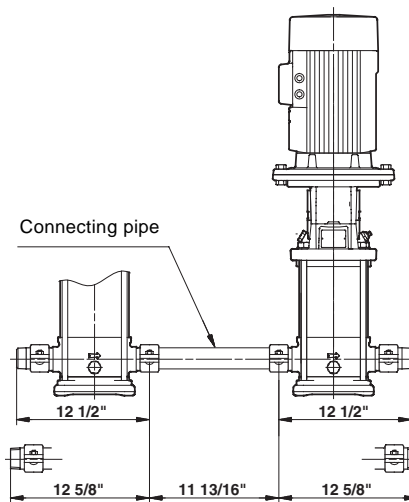
TM02 8312 2806

Dimensional sketches



CRN feed pump/CRN SF high-pressure pump

TM02 8850 1906



CRN feed pump, connecting pipe and CRN SF high-pressure pump

TM02 8851 0904

Dimensions and weights

Pump type	P2 [hp]	Dimensions [in]					Ship weight [lbs]
		B1	B2	B1 + B2	D1	D2	
CRN 15-3	5	18 7/8	13 1/4	32 1/8	7 1/8	4 3/8	139
CRN 15-5	10	22 3/4	15 5/8	38 3/8	8 3/4	5 3/8	203
CRN 15-8	15	30 5/8	16 5/8	47 1/4	10 3/8	8 3/4	373
CRN 15-10	20	34 1/8	16 3/8	50 1/2	10 3/8	8 3/4	392
CRN 15-12	25	37 1/8	19 3/4	56 7/8	13	9 1/2	481
CRN 15-11 SF	20	37 1/8	18 7/8	56	12 5/8	7 7/8	377