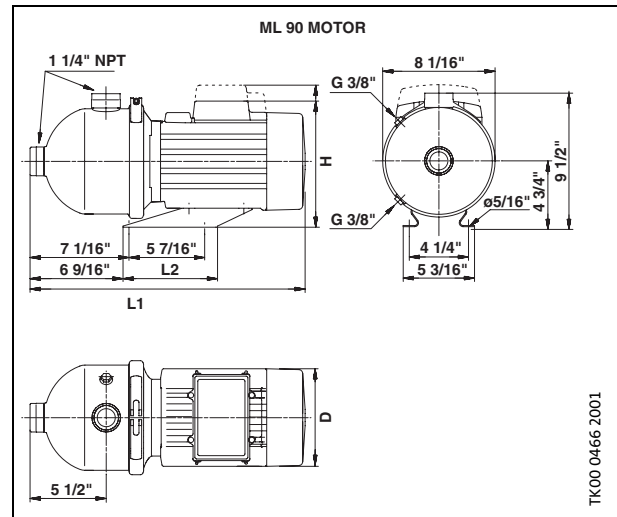
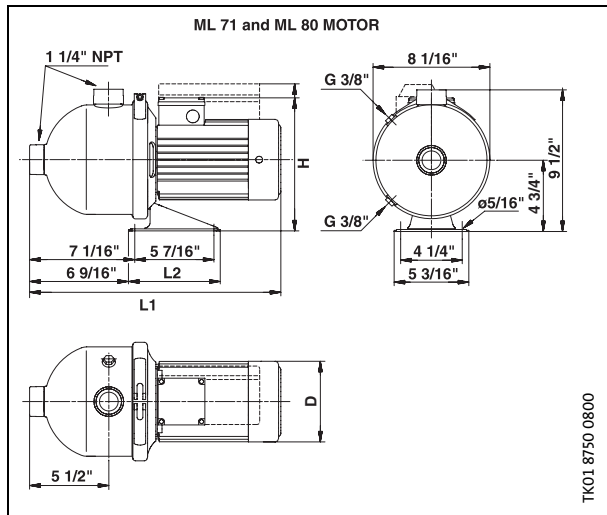


Dimensional sketches



Dimension/weights/electrical data

Pump Type	Electrical Data						Dimensions [in.]				Motor type	Ship Wt. [lbs.]	Ship Vol. [ft ³]
	Hp	Ph	Voltage	Service Factor	Rated Current [A]	Maximum Current [A]	L1	L2	H	D			
CHI 4-10	1/2	1	115/230	1.6	6.0/3.0	9.0/4.5	15 5/8	6 3/8	10	5 5/8	ML 71	26	1.4
	1/3	3	208-230/460	1.5	1.55/0.75	1.55/0.75	15 5/8	6 3/8	9 1/16	5 5/8	ML 71		
	1/3	3	575	1.7	0.6	1.02	15 5/8	6 3/8	9 1/16	5 5/8	ML 71		
CHI 4-20	1/2	1	115/230	1.6	9.0/4.5	9.0/4.5	15 5/8	6 3/8	10	5 5/8	ML 71	27	1.4
	1/2	3	208-230/460	1.7	2.9/1.45	2.9/1.45	15 5/8	6 3/8	9 1/16	5 5/8	ML 71		
	1/2	3	575	1.7	1.16	1.97	15 5/8	6 3/8	9 1/16	5 5/8	ML 71		
CHI 4-30	3/4	1	115/230	1.5	11.5/5.7	11.5/5.7	17 1/4	6 3/8	10	5 5/8	ML 80	31	1.4
	3/4	3	208-230/460	1.7	4.0/2.1	4.0/2.1	15 5/8	6 3/8	9 1/16	5 5/8	ML 71		
	3/4	3	575	1.7	1.68	2.86	15 5/8	6 3/8	9 1/16	5 5/8	ML 71		
CHI 4-40	1	1	115/230	1.5	15.0/7.5	15.0/7.5	17 1/4	6 3/8	9 1/16	5 5/8	ML 80	34	1.4
	1	3	208-230/460	1.6	5.2/2.6	5.2/2.6	17 1/4	6 3/8	9 1/16	5 5/8	ML 80		
	1	3	575	1.6	2.08	3.33	17 1/4	6 3/8	9 1/16	5 5/8	ML 80		
CHI 4-50	11/2	1	115/230	1.4	19.3/9.7	21.5/10.7	19 11/16	6 13/16	10 1/4	7	ML 90	59	1.4
	11/2	3	208-230/460	1.5	6.2/3.1	6.9/3.5	17 1/4	6 3/8	9 1/16	5 5/8	ML 80		
	11/2	3	575	1.5	2.48	3.65	17 1/4	6 3/8	9 1/16	5 5/8	ML 80		